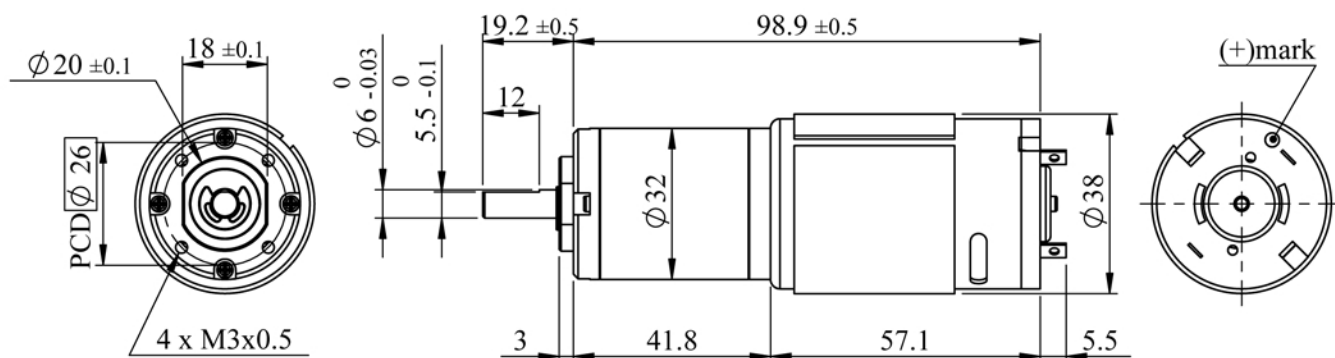


### DIRECTION OF ROTATION



# SPECIFICATIONS

## DC Planetary Gear Brush Motor



(unit:mm)

### A. Operating Conditions:

1	Operating Voltage Range	6~12	VDC	4	Operating Temperature	-10~+60	°C
2	Rated Voltage	12	VDC	5	Storage Temperature	-30~+85	°C
3	Rated Load	21	kgf-cm	6	Test Position	Horizontal	~

### B. Electrical Characteristics:

1	Max. No-load Current	0.53	A	6	Max. Stall Current	20	A
2	No-load Speed	45±5	rpm	7	Insulation Resist.(500V)	20	MΩ
3	Rated-load Current	2	A	8	Dielectric Strength	250	VAC
4	Rated-load Speed	40±4	rpm	9	Motor Brush Type	Graphite	~
5	Min. Stall Torque	153	kgf-cm	10	Output Power at Max.Eff.	9	W

### C. Mechanical Characteristics:

1	Gear Type	Planetary	~	7	Max. Shaft Radial Load	3.5	kgf
2	Gear Ratio	1/189	~	8	Max. Shaft Runout	0.05	mm
3	Gear Material	Metal	~	9	Max. Shaft End Play	0.30	mm
4	Rated Tolerance Torque	22	kgf-cm	10	Bearing Type	Dual Ball	~
5	Moment. Tolerance Torque	44	kgf-cm	11	Net Weight	380±20	grams
6	Max. Shaft Axial Load	2.5	kgf				