

SERVOCITY SUPER DUTY ACTUATORS DATA SHEET

FEATURES:

- Heavy load capability and high speed design, which is suitable for various industrial applications requiring rapid movement. The adjustable limit cam is equipped for users to fine-tune the stroke based on their needs.
- Main applications: Industrial
- Input voltage: 24V DC / 12V DC
- Max. load: 7,000N
- Static load: 13,600N
- Max. current: 26.4 A @ 12V DC
- Max. speed: 67.1 mm/sec @ no load
- Stroke: 102~610 mm
- Duty cycle: 25%
- IP protection level: IP54
- Color: Black
- Certified: RoHS EN61000-6-1 EN61000-6-3
- Overload protection by clutch
- Power wire length: 250mm (with tinned wires)
- Operating temperature: -25°C ~+ 65°C
- Sealed O-ring
- Metal gears
- CE Certified (CD55011)
- Powder coated aluminum base
- Stainless steel extension rod
- Steel protection tube



Offered in 3 versions:



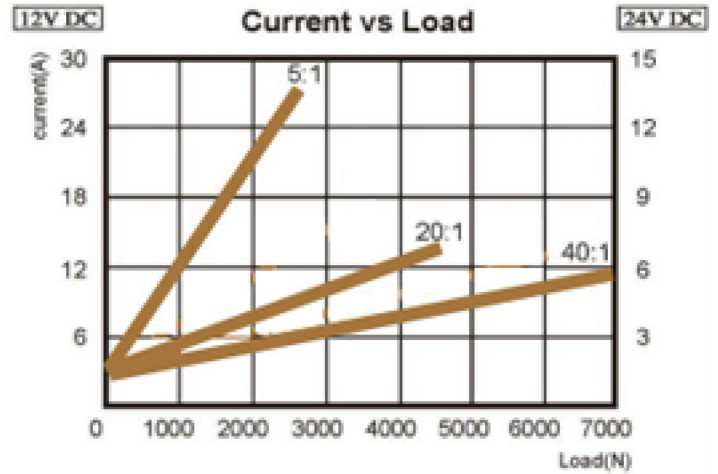
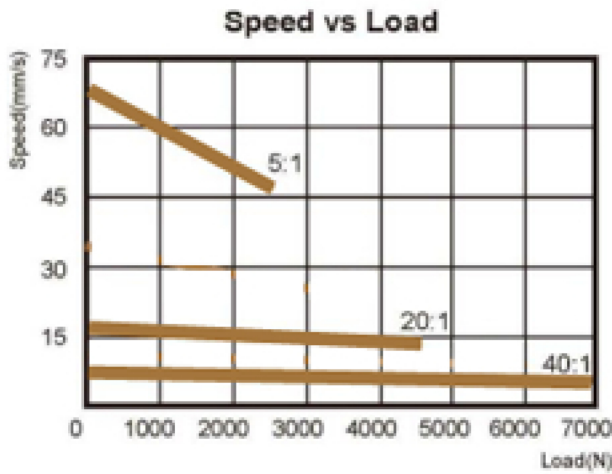
SDA263
560 pound thrust
(2.63" per second)
5:1 Ratio



SDA67
1010 pound thrust
(0.67" per second)
20:1 Ratio

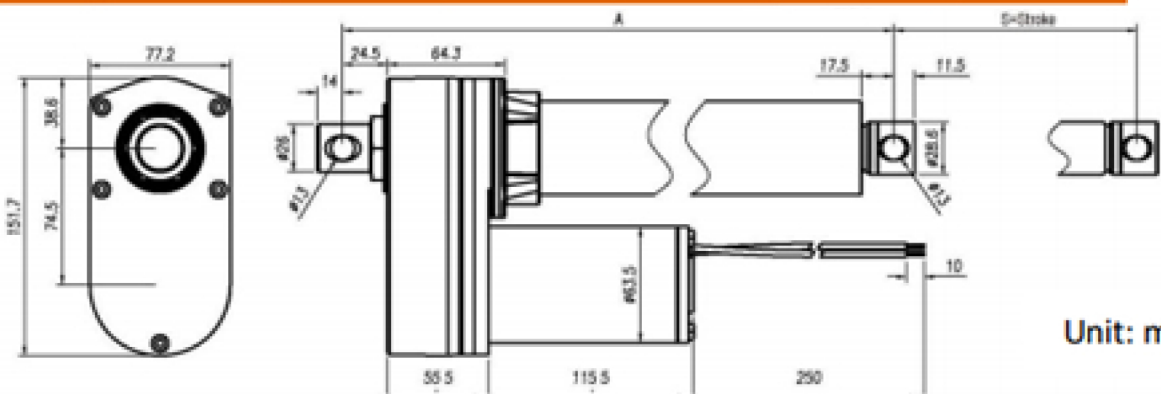


SDA30
1570 pound thrust
(.30" per second)
40:1 Ratio



Model No.	Push/Pull Max. (N)	Speed (mm/s)		Current (A)			
		No load	Full load	No load		Full load	
				12V	24V	12V	24V
SDA263 (560 lb)	2500	67.1	47.2	3.4	2.2	26.4	13.2
SDA67 (1,010 lb)	4500	16.8	14.3	3.4	2.2	13.2	6.6
SDA30 (1,570 lb)	7000	8.4	7.4	3.4	2.2	11.0	5.5

Stroke	4"	6"	8"	12"	18"	24"
Extended (± 2.5mm)	19.73"	23.74"	27.71"	38.78"	50.76"	62.80"
Retracted Length (± 3.8mm)	15.71"	17.72"	19.72"	26.77"	32.77"	38.78"



Unit: mm