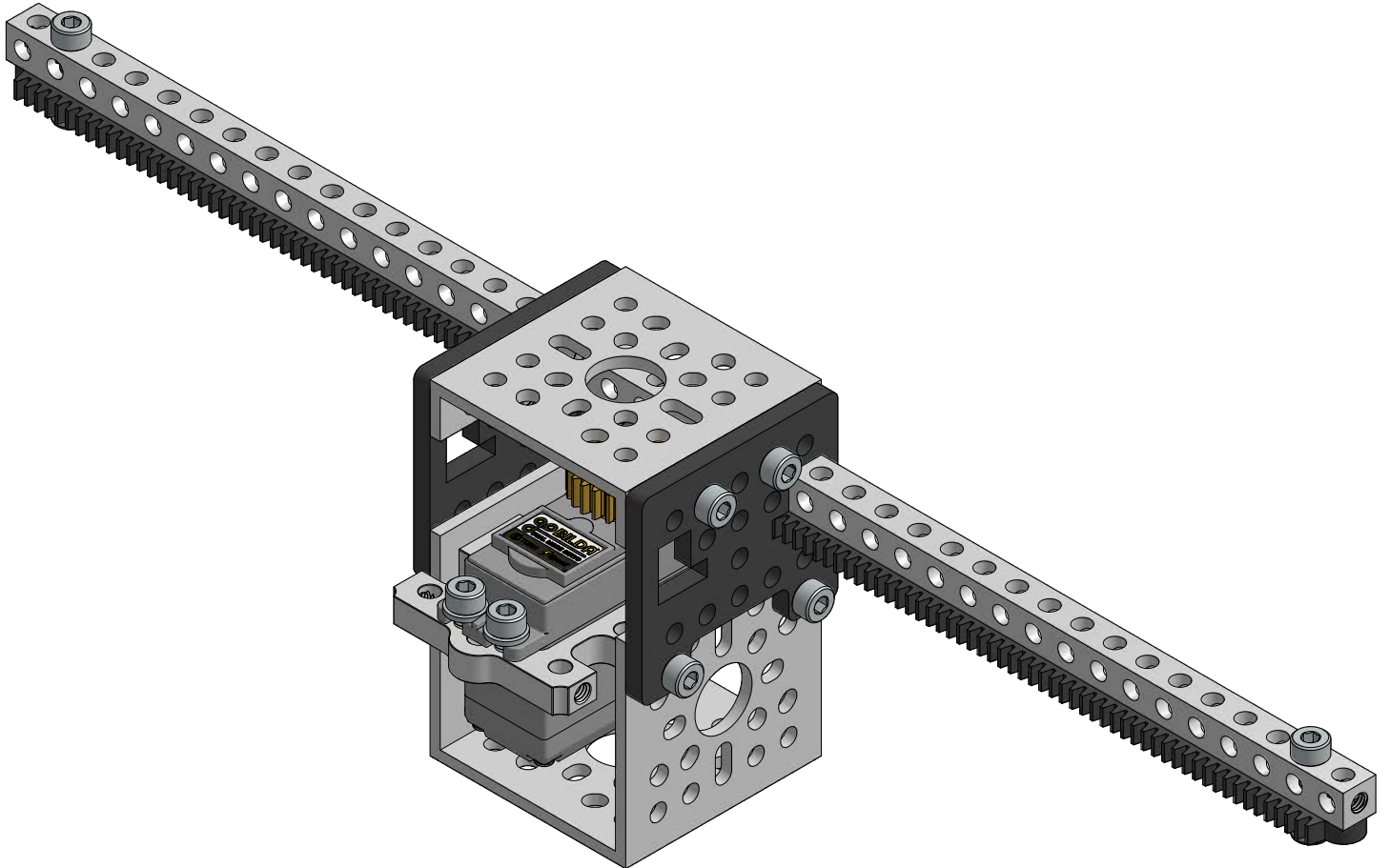


# Assembly Instructions for Servo-Driven Gear Rack Kit (Single Gear Rack)

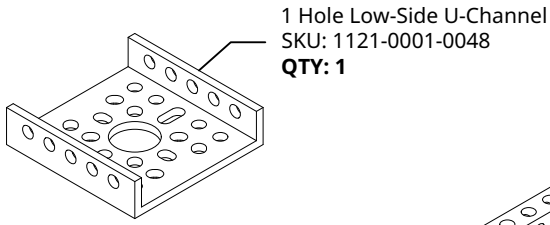
SKU: 3207-0002-0001



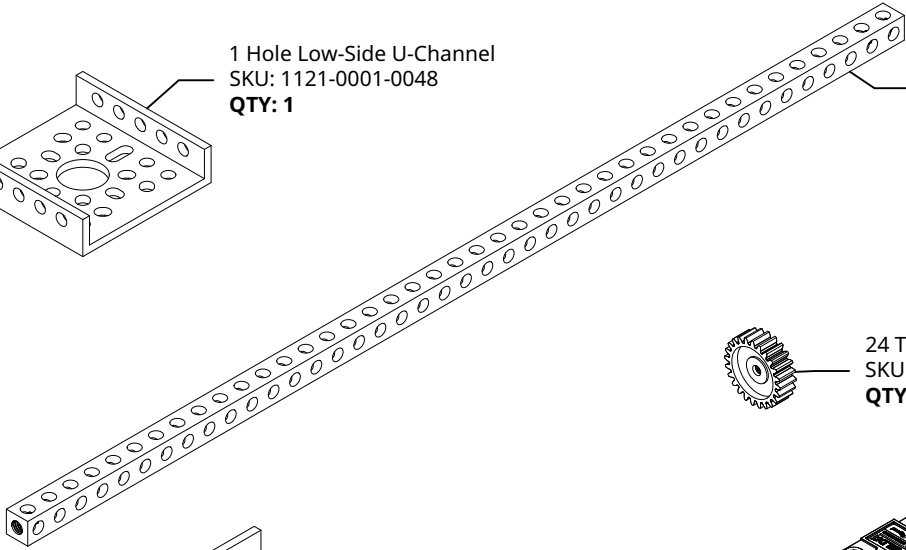
## **TOOLS REQUIRED**

- 2.5mm Hex Key (L-Key or T-Handle)
- 3mm Hex Key (L-Key or T-Handle)
- 7mm Nut Driver

# Kit Contents:



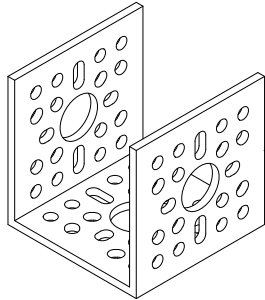
1 Hole Low-Side U-Channel  
SKU: 1121-0001-0048  
**QTY: 1**



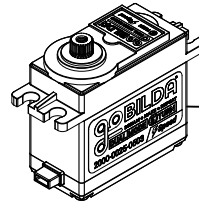
41 Hole Square Beam  
SKU: 1106-0041-0328  
**QTY: 1**



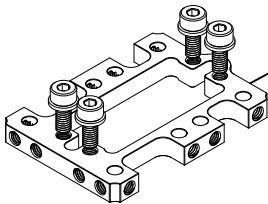
24 Tooth Servo Gear (H25T Spline)  
SKU: 2305-0025-0024  
**QTY: 1**



1 Hole U-Channel  
SKU: 1120-0001-0048  
**QTY: 1**



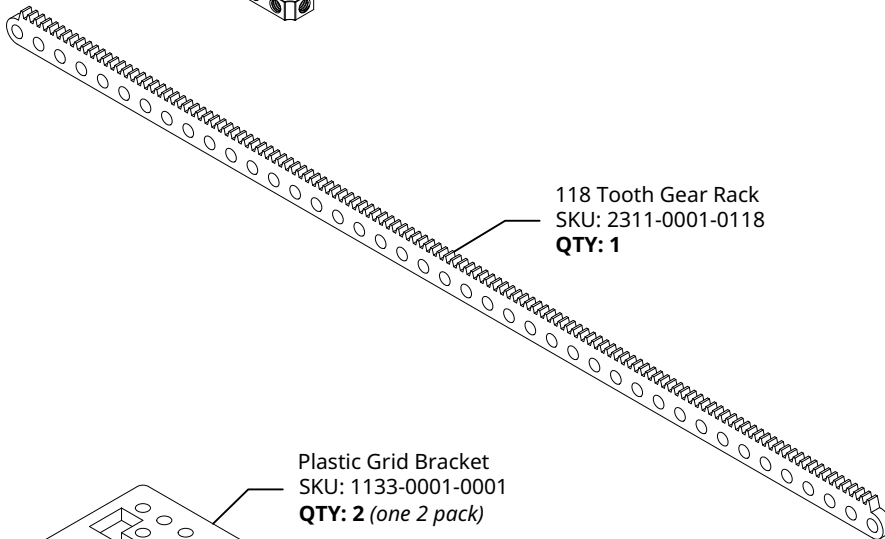
goBILDA® 5-Turn Servo (Speed)  
SKU: 2000-0025-0503  
**QTY: 1**



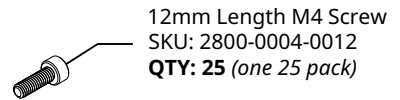
Servo Frame  
SKU: 1802-0043-0001  
**QTY: 1**



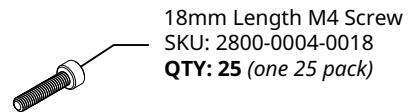
Servo Screw  
Included with Servo



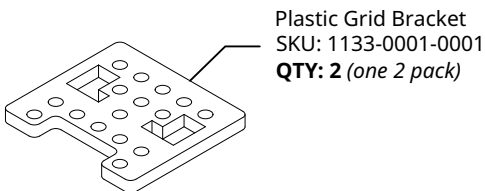
118 Tooth Gear Rack  
SKU: 2311-0001-0118  
**QTY: 1**



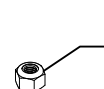
12mm Length M4 Screw  
SKU: 2800-0004-0012  
**QTY: 25 (one 25 pack)**



18mm Length M4 Screw  
SKU: 2800-0004-0018  
**QTY: 25 (one 25 pack)**



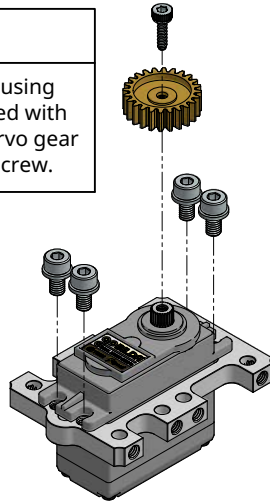
Plastic Grid Bracket  
SKU: 1133-0001-0001  
**QTY: 2 (one 2 pack)**



M4 Locknut  
SKU: 2812-0004-0007  
**QTY: 25 (one 25 pack)**

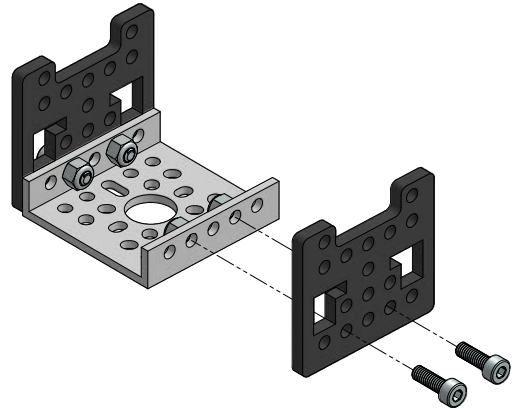
### Step 1

Attach the servo frame to the servo using the four screws and washers included with the servo frame. Then attach the servo gear to the servo spline using the servo screw.



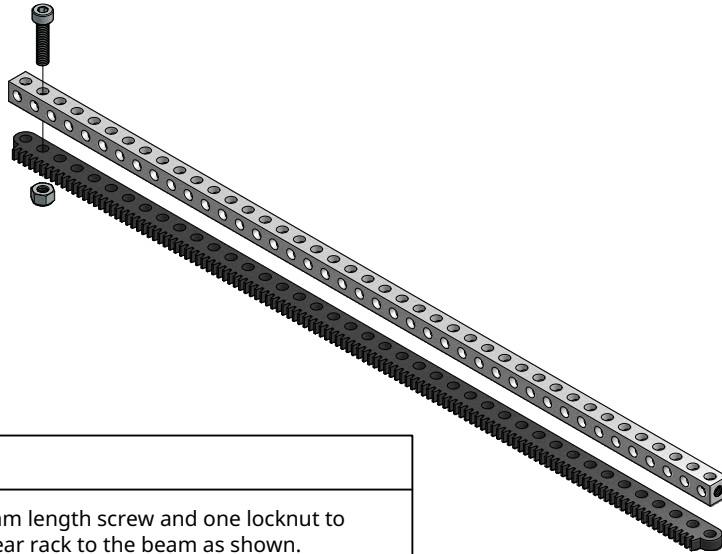
### Step 2

Using four 12mm length screws and four locknuts, attach the plastic brackets to the 1-Hole Low-Side U-Channel.



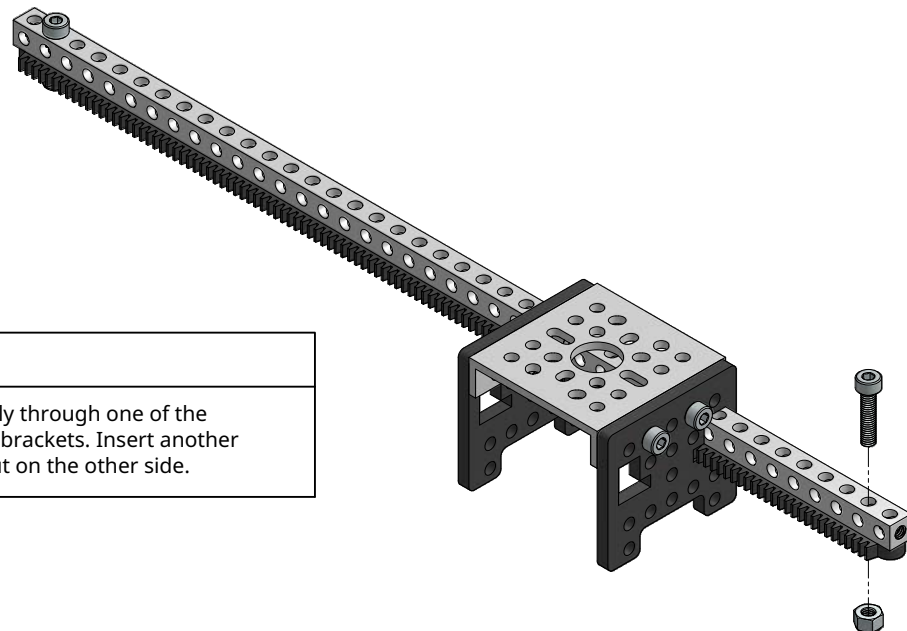
### Step 3

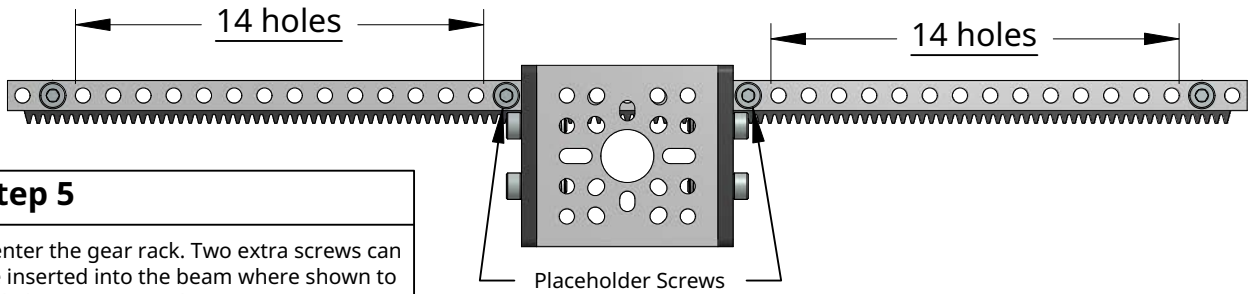
Use one 18mm length screw and one locknut to attach the gear rack to the beam as shown.



### Step 4

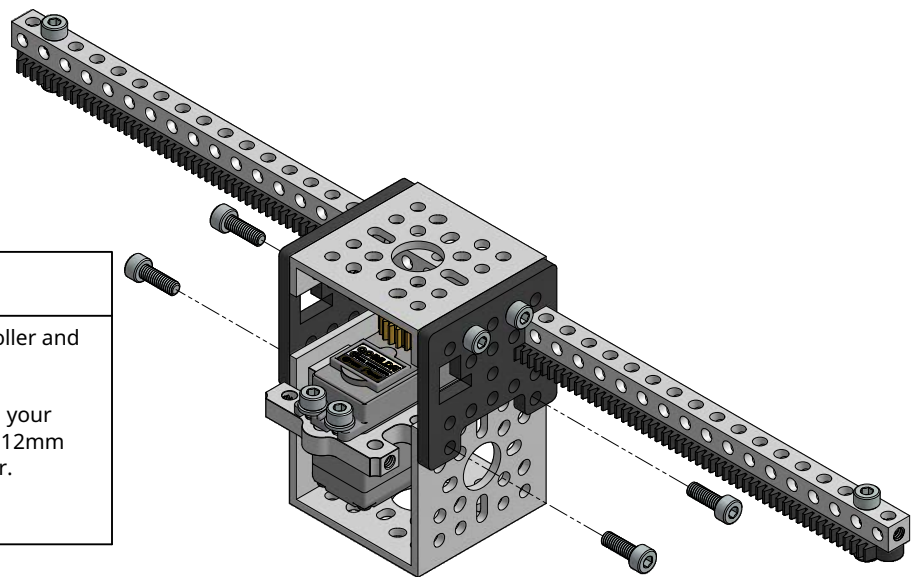
Slide the gear rack assembly through one of the passageways of the plastic brackets. Insert another 18mm length screw and nut on the other side.





### Step 5

Center the gear rack. Two extra screws can be inserted into the beam where shown to help keep it centered.

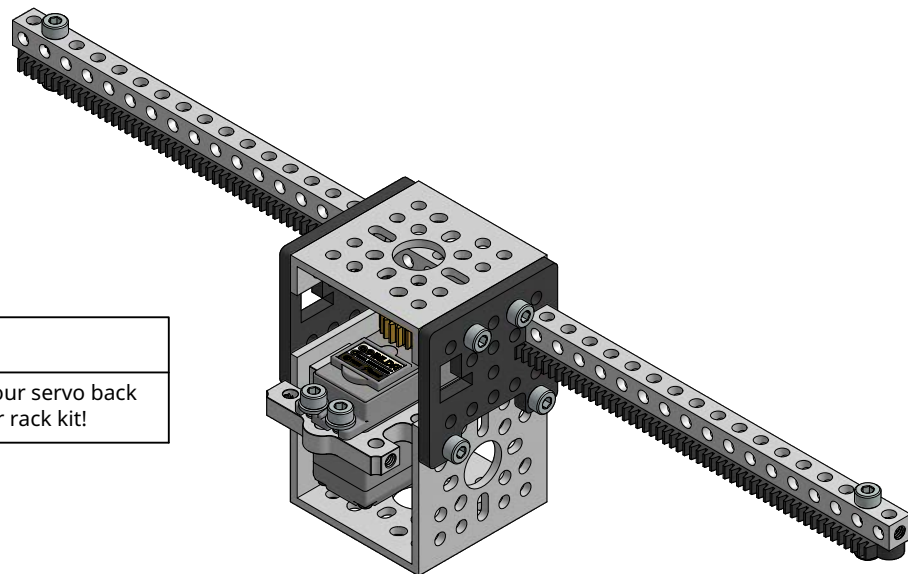


### Step 6

Plug the servo into your servo controller and center the servo. Unplug the servo.

Assemble the 1-Hole U-Channel with your previously built assemblies. Use four 12mm length screws to fasten it all together.

Remove the placeholder screws.



### Congratulations!

You are now ready to plug your servo back in and test out your new gear rack kit!