

Rigging Guide for Low-Side Cascading Kit (Two Stage)

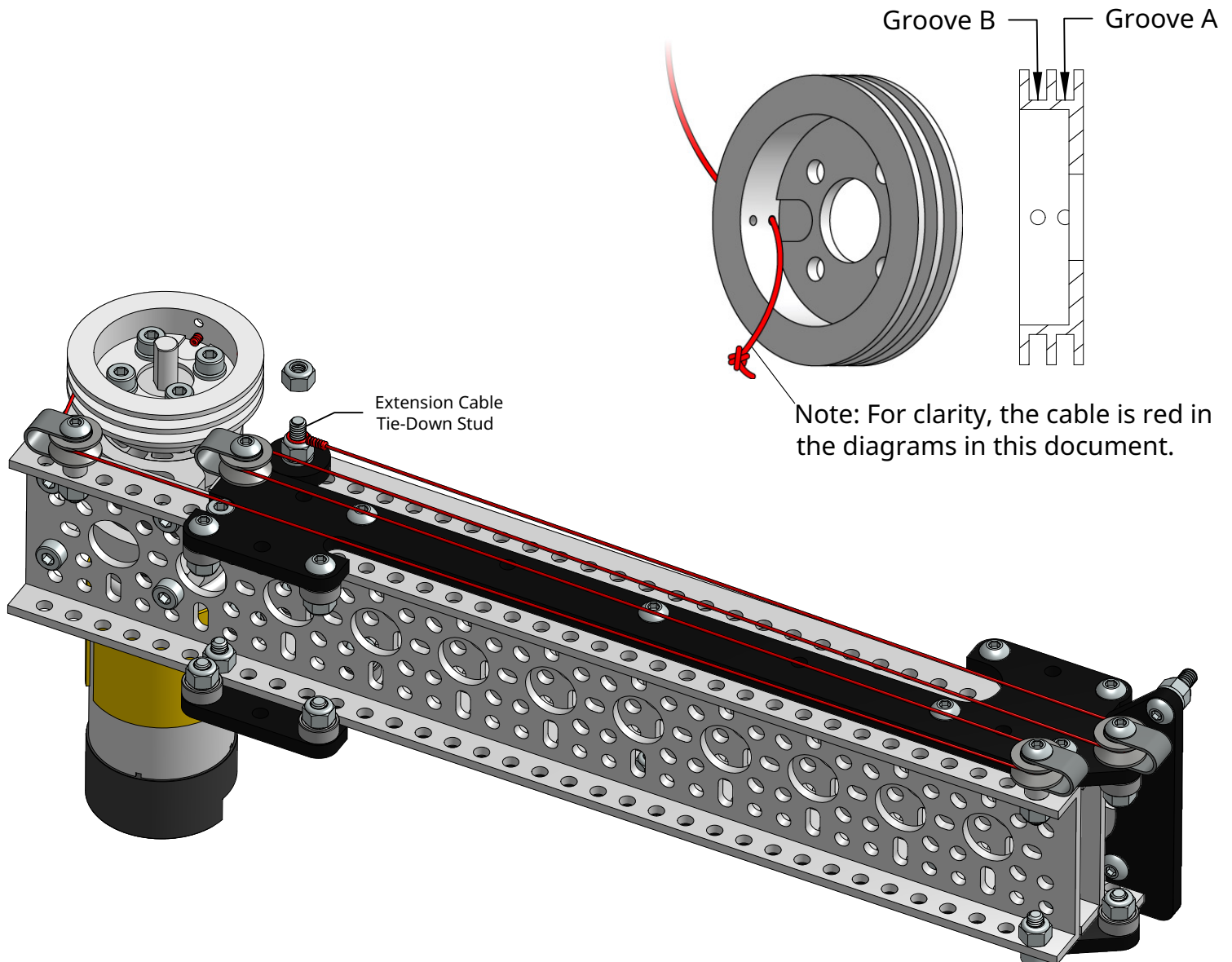
SKU: 3210-0001-0002

Rigging the Extension Cable

Make sure the kit is fully retracted. Locate the hole in Groove A of the winch pulley. Insert your cable from the outside of the pulley through the hole then tie a knot at the end. Make sure the knot is large enough that it cannot be pulled back through the hole.

Wind a couple of rotations-worth of cable into Groove A in the counter-clockwise direction (relative to the views below). Ensure that the orientation of the winding is such that rotating the pulley clockwise draws the cable in.

Route the cable through the v-groove bearing pulleys as shown. Tie off the cable to the extension cable tie-down stud. Install a locknut to keep the string in place. Cut off the excess cable to use in the next step.



Rigging the Retraction Cable

Fully extend the kit by rotating the winch pulley clockwise (relative to the full view below). Locate the hole in Groove B of the winch pulley. Insert a second cable through, from the outside of the pulley, and tie a large knot like you did for the extension cable.

Pre-wind an extra rotation of cable into Groove B, but this time in the clockwise direction. Make sure the orientation is such that rotating the pulley counter-clockwise (relative to the full view below) draws the cable in.

Locate the spring on the side of that last stage as shown. We are using the 9th hole from the end but you can select a different hole to get different levels of tautness. Tie the cable to the spring. Pro Tip: You can use a long hex key or screw to pin the spring to hole 9 while you tie the cable.

Hook the loop on the other end of the spring to the spring stud and capture it with a locknut. The cable should be taut. Once you are happy with the tautness trim the excess cable.

