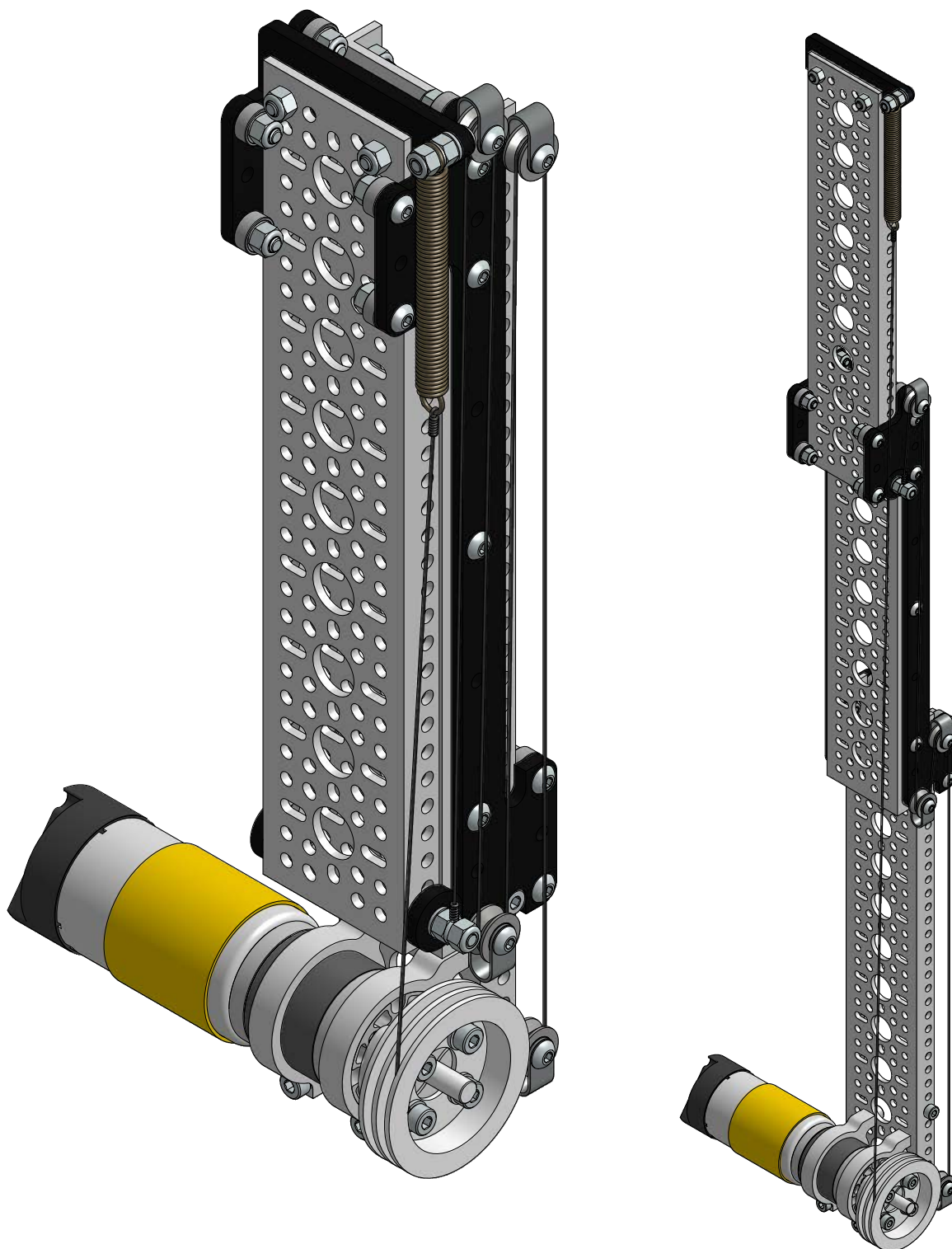


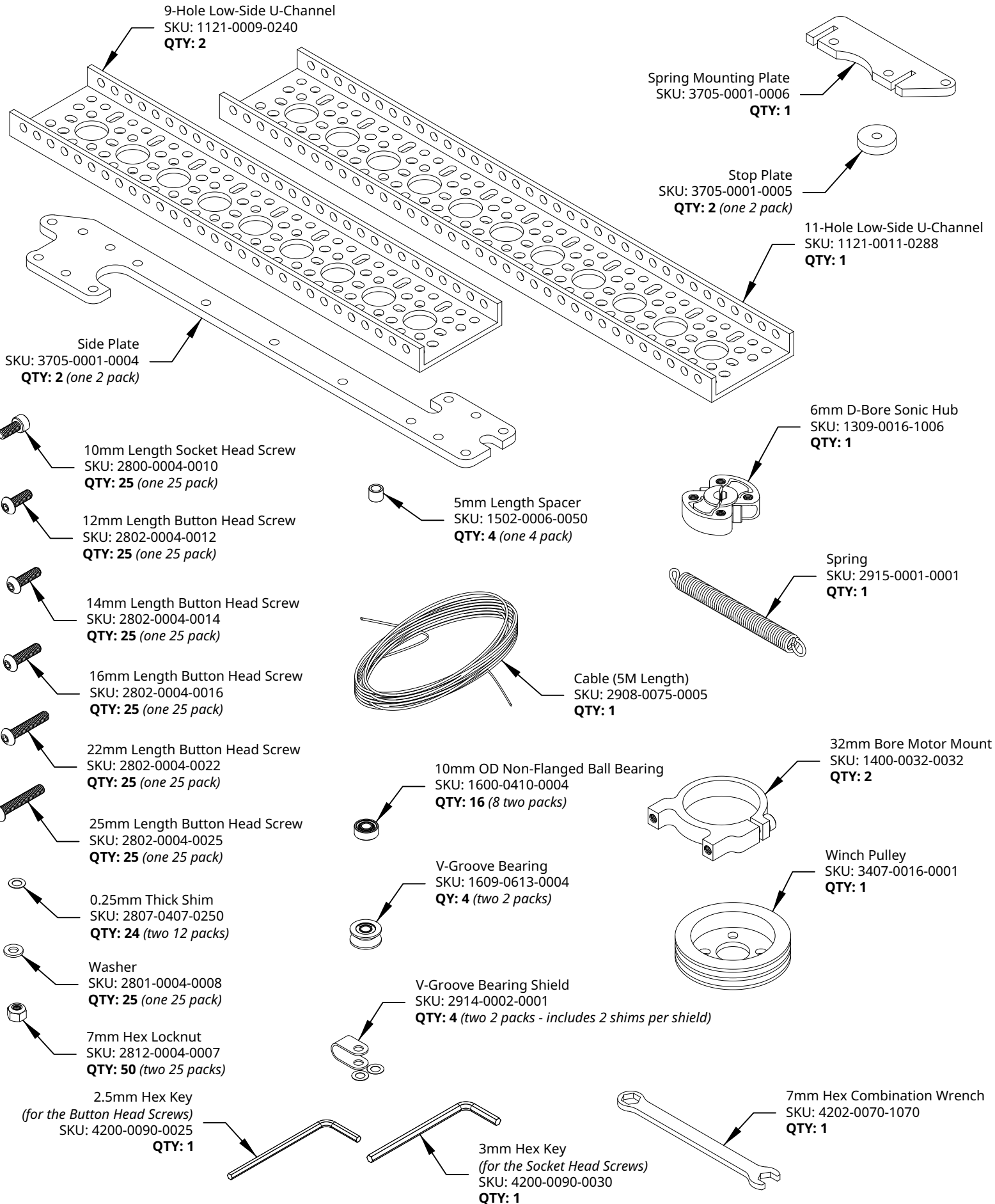
Assembly Instructions for **Low-Side Cascading Kit (Two Stage)**

SKU: 3210-0001-0002



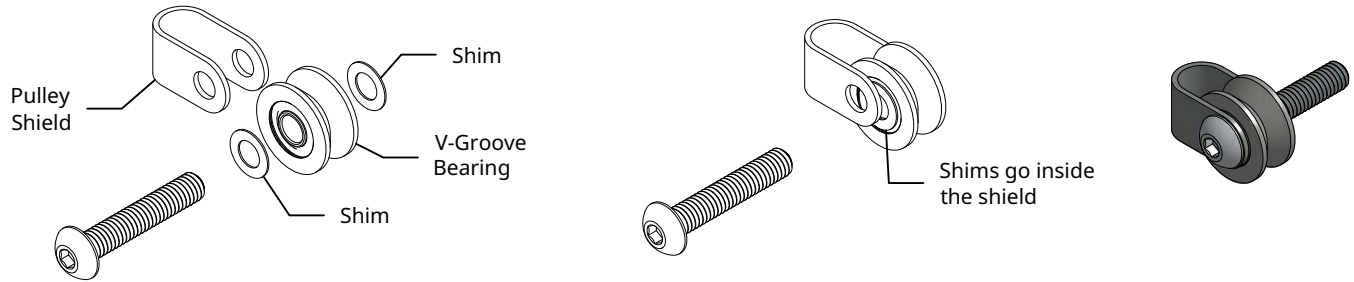
Motor Not Included

Kit Contents



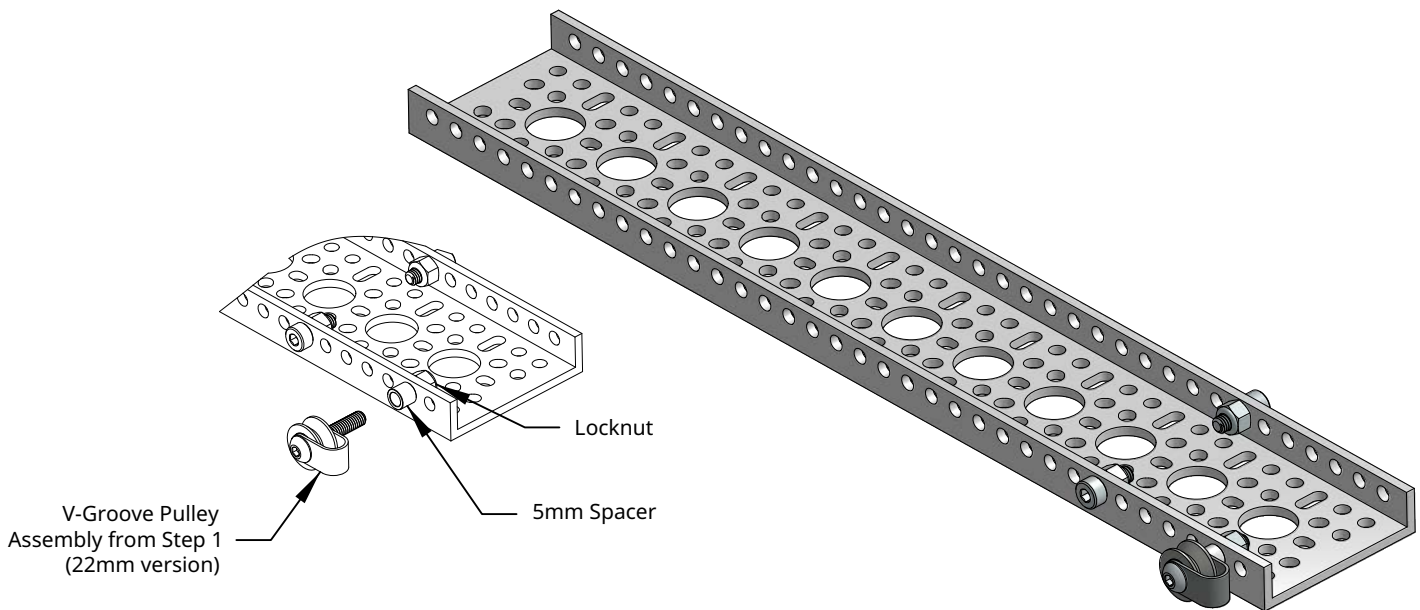
STEP 1

Sandwich two shims onto a v-groove bearing, then slide the stack into a pulley shield, and insert a 22mm button head screw through the bore. Make 2 more assemblies like this. Next create 1 more assembly using a 25mm (instead of 22mm) button head screw. Use the 2.5mm hex key with the button head screws in this kit.



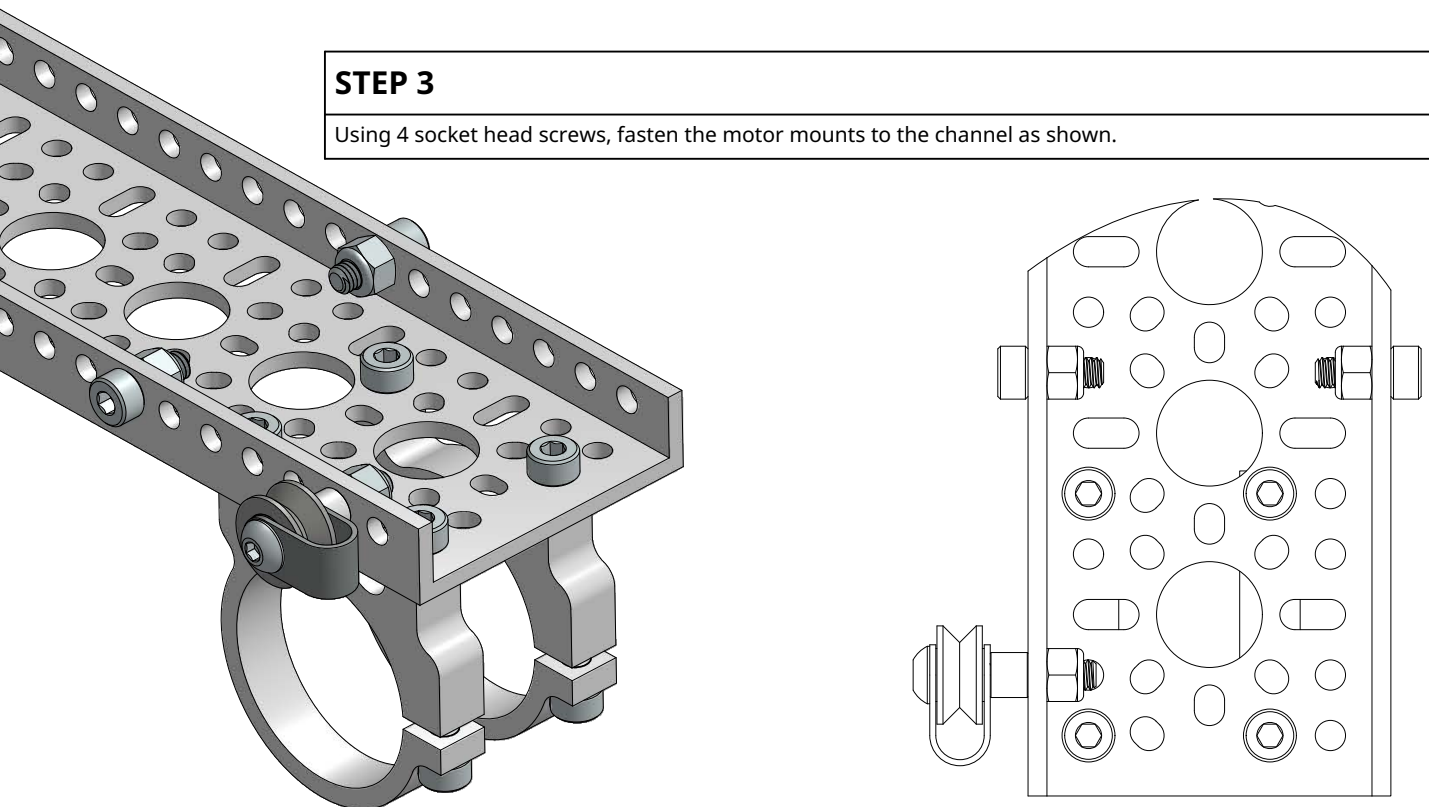
STEP 2

Using the 11 hole Low-Side U-Channel, a 22mm v-groove pulley assembly from Step 1, a 5mm spacer, and a locknut, create the assembly below. This will act as the base of your kit. Fasten 2 socket head screws with locknuts where shown. Use the 3mm hex key with the socket head screws in this kit. The socket head screws here will act as retraction stops for the 1st stage.



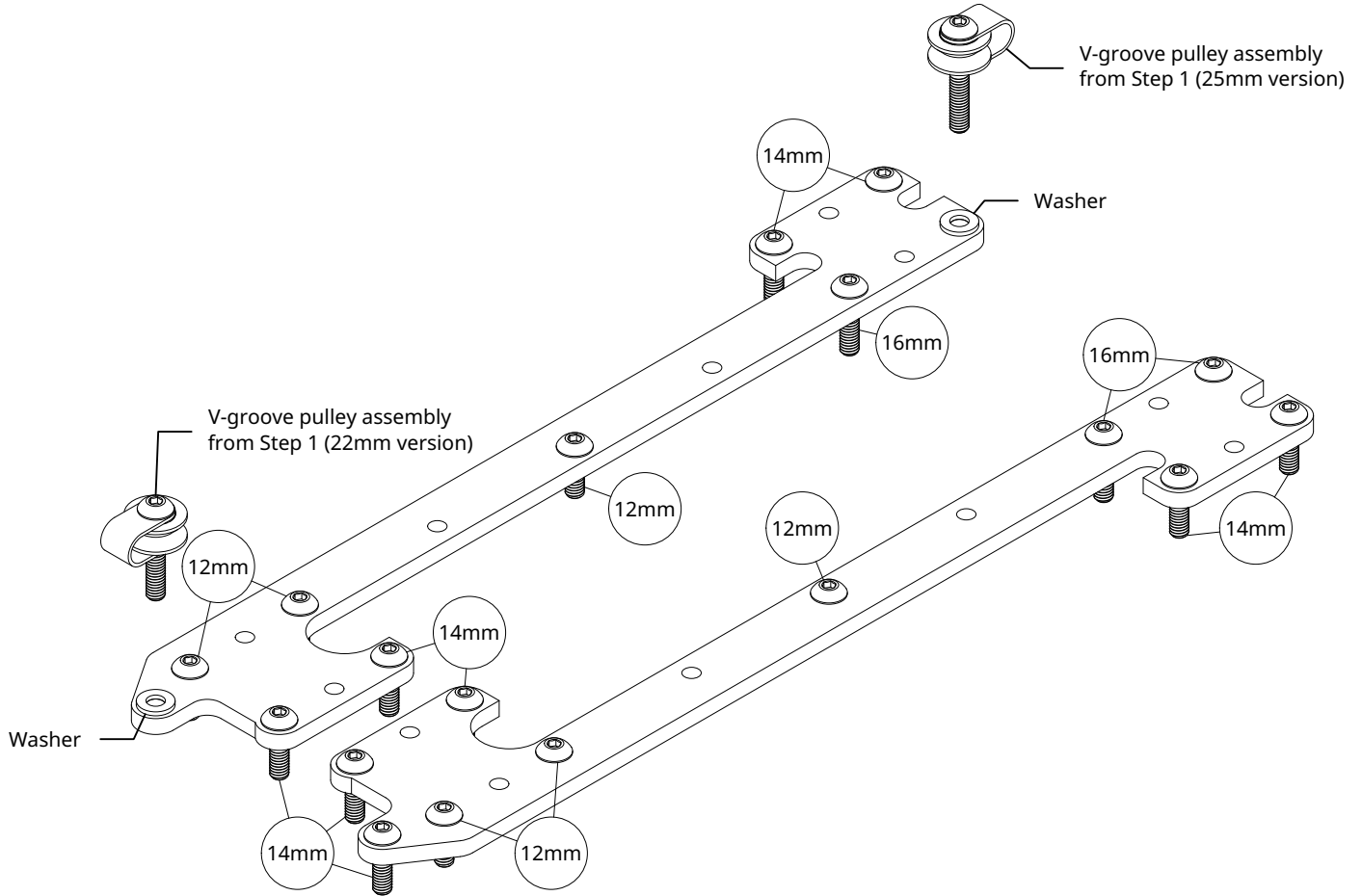
STEP 3

Using 4 socket head screws, fasten the motor mounts to the channel as shown.



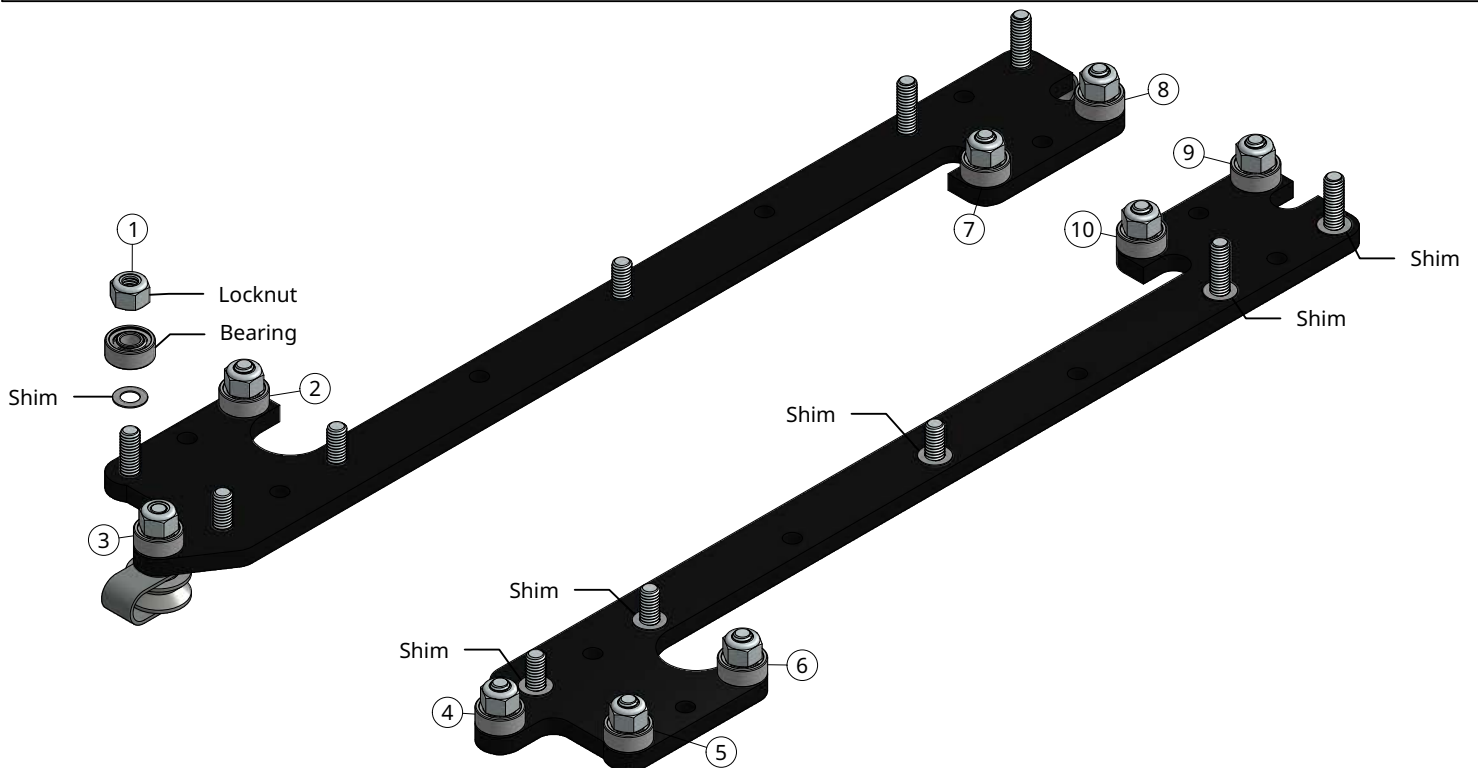
STEP 4

Insert the v-groove pulley assemblies and button head screws into two slide plates as shown. The holes on the slide plates are slightly underized such that the screws will thread lightly into the plastic. This makes them more precise as well as making the assembly easier because the screws are held in place while you flip the plates over in the next step.



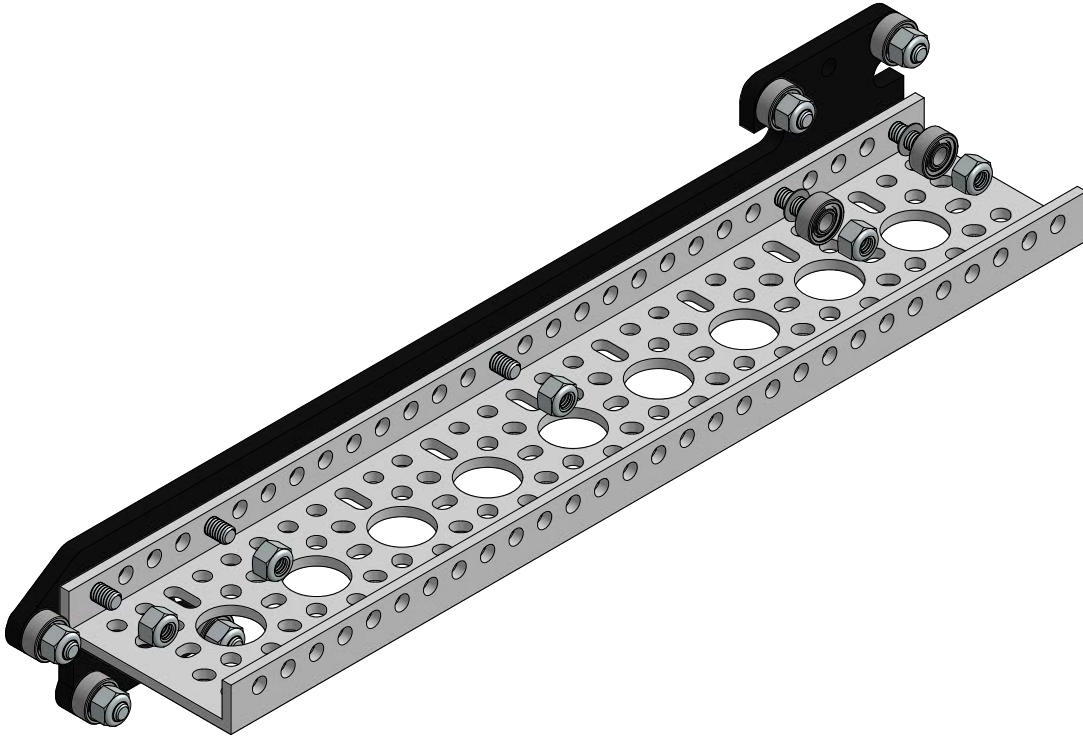
STEP 5

Flip the two side plate assemblies over. Add a 0.25mm shim, bearing, and locknut to the 10 locations shown below. Then add a 0.25mm shim to the 5 unused screws on the side plate without the v-groove pulley assemblies.



STEP 6

Making sure the shims are in place, fasten the non-pulley side plate assembly to a 9-hole Low-Side U-Channel as shown. The 3 screws to the left below just need a locknut. The 2 to the right each need a shim plus bearing and locknut.



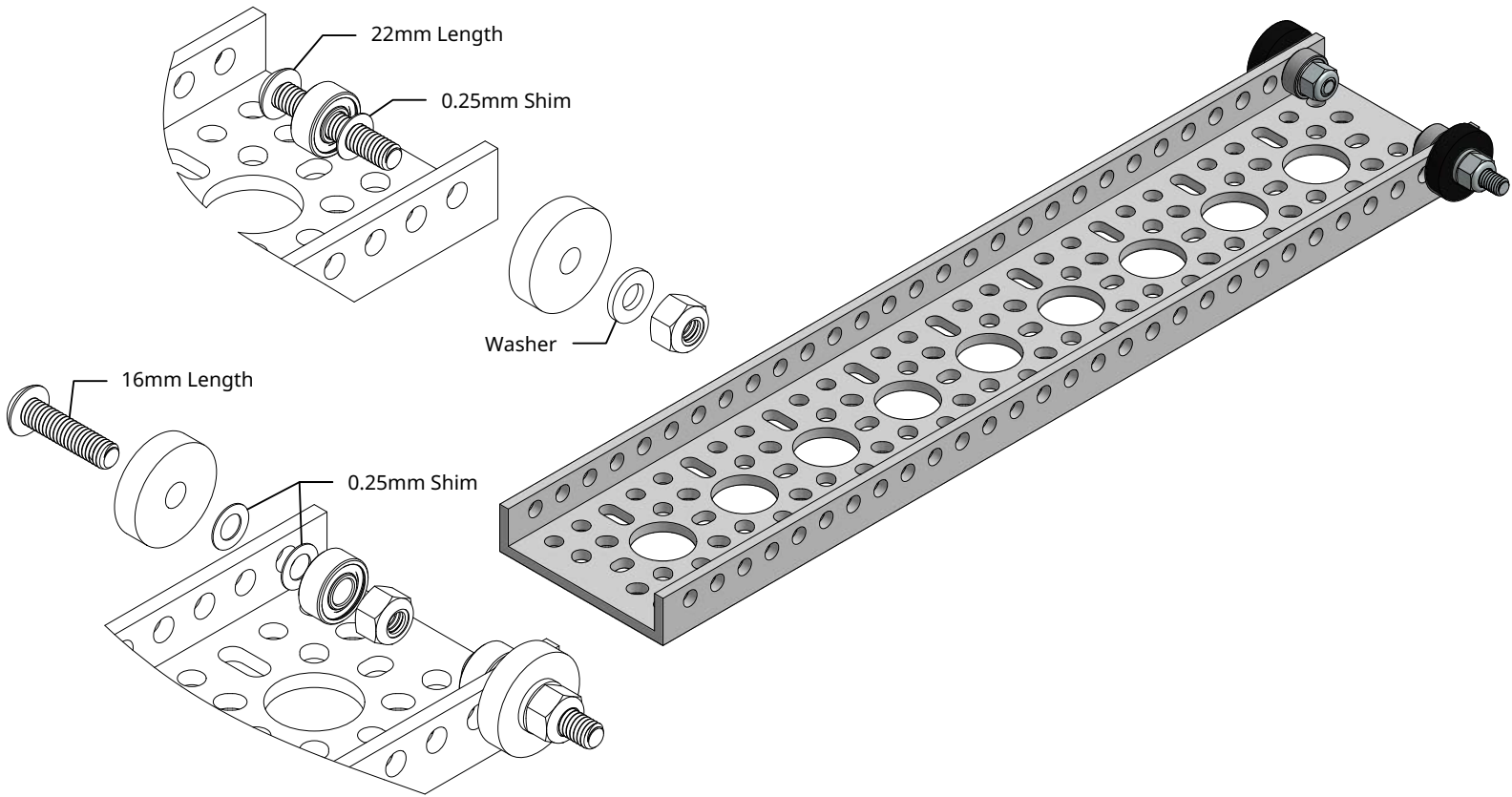
STEP 7

Attach the side plate with pulleys to the other side of the channel in the same manner as the side plate in Step 6 as shown below.



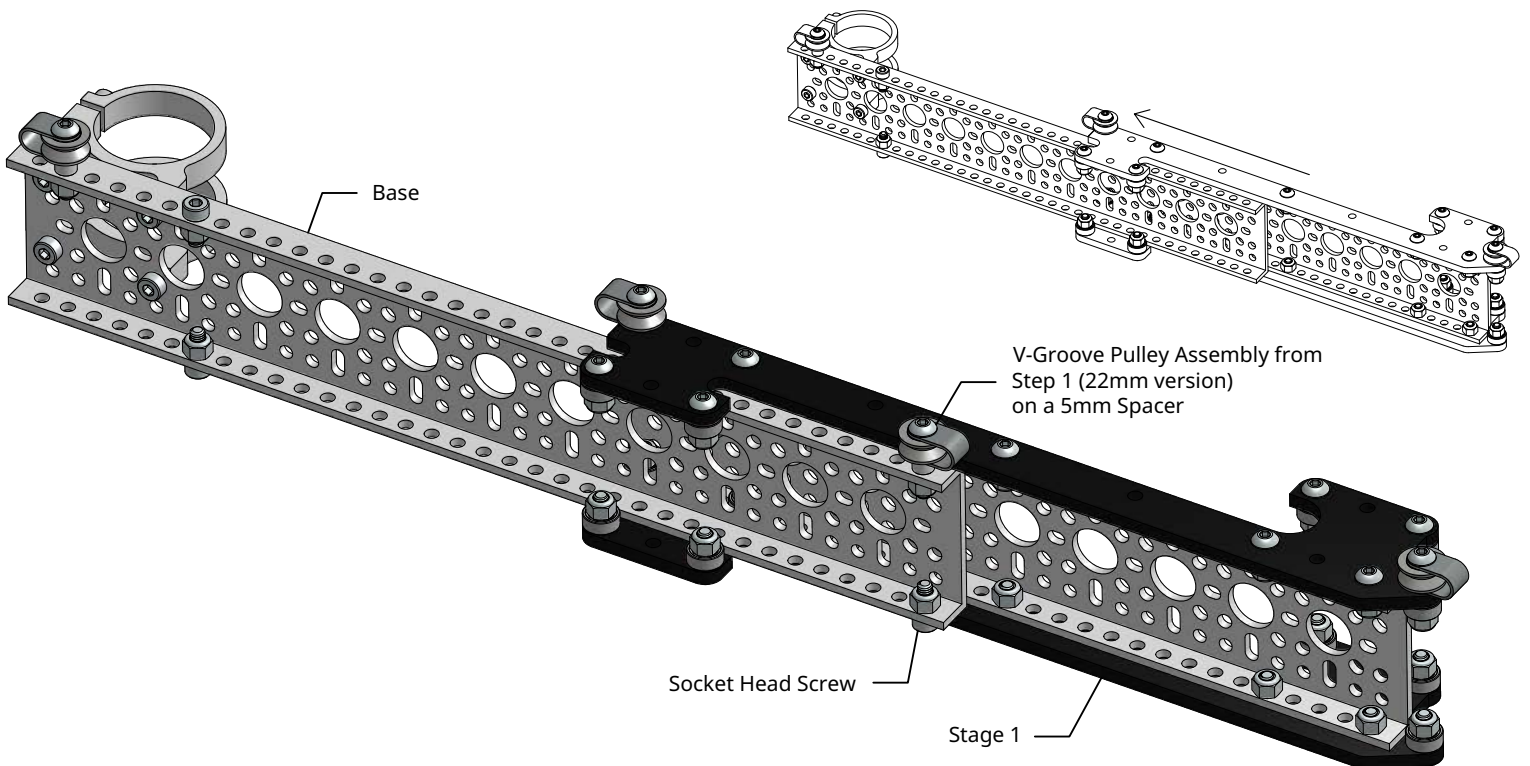
STEP 8

Using the last 9-hole channel, attach the bearings and stop plates as shown below. This assembly will be the second and final stage.



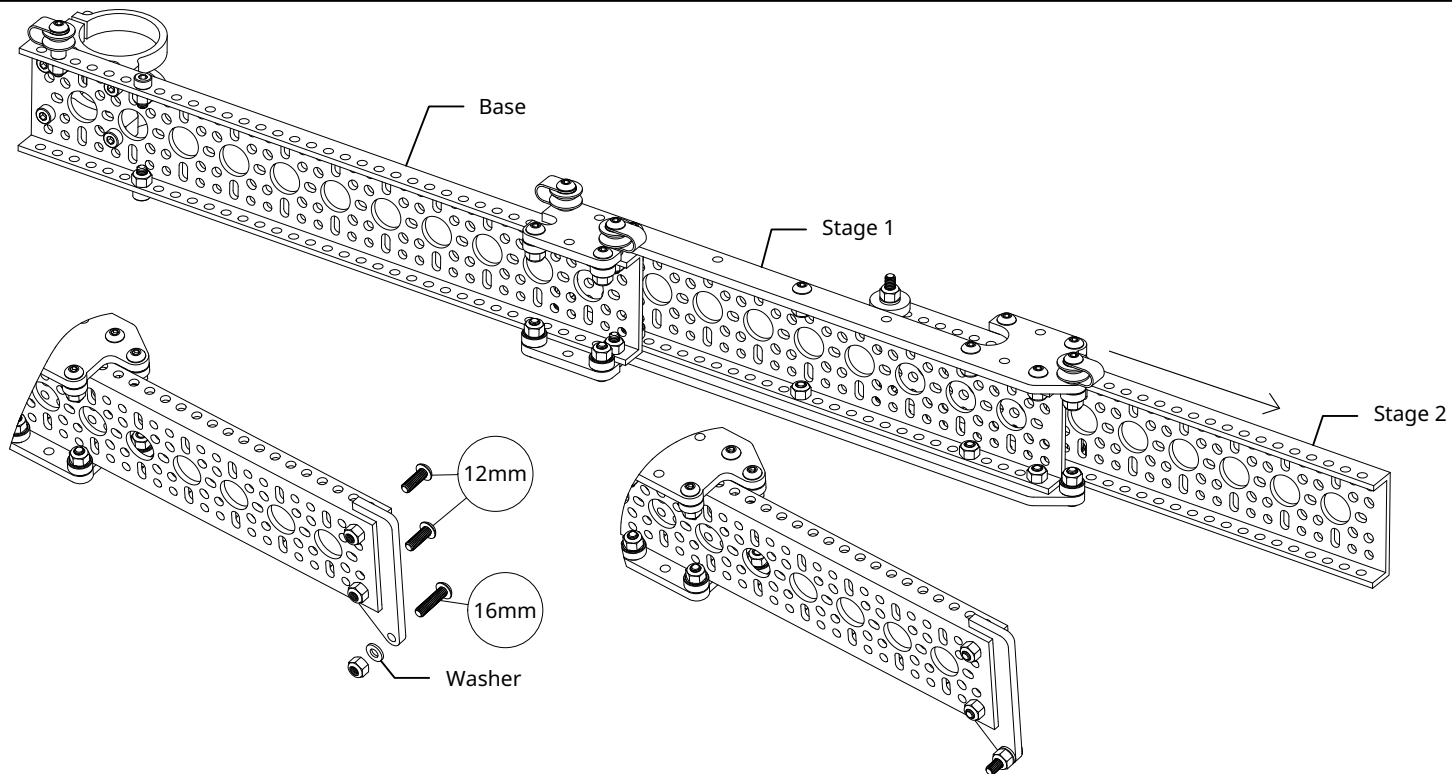
STEP 9

Now it is time to start assembling the stages together! Slide Stage 1 onto the Base. Next attach a 22mm v-groove pulley assembly on a 5mm spacer to the base as shown. Then add a socket head screw and locknut to the base as shown.



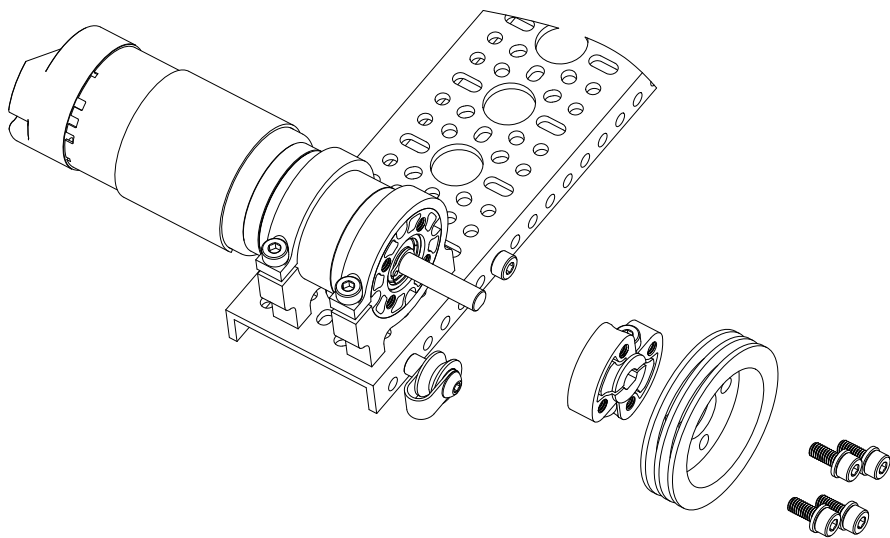
STEP 10

Slide Stage 2 into Stage 1 as shown. Then attach the spring mounting plate at the end of Stage 2 as shown. The spring will be attached as part of the rigging process (See the Rigging Guide for this kit).



STEP 11

Slide your motor into the motor mounts until the face of the motor is flush with the side of the second motor mount as shown below. Tighten the pinch bolts on the motor mounts. Slide the Sonic Hub onto the gear motor output shaft until it bottoms out where the flat of the "D" ends. Tighten both pinch bolts on the hub. Attach the winch pulley to the Sonic Hub with four socket head screws and washers.



Motor Not Included

To allow you to select your ratio, this kit does not come with a gear motor. It does come with 32mm ID clamping motor mounts and a 6mm D-bore Sonic Hub. So we recommend using a 5202 Series Yellow Jacket Gear motor with this kit.

Congratulations

You are now ready to start rigging your kit! Please see the Rigging Guide for this kit for more information.