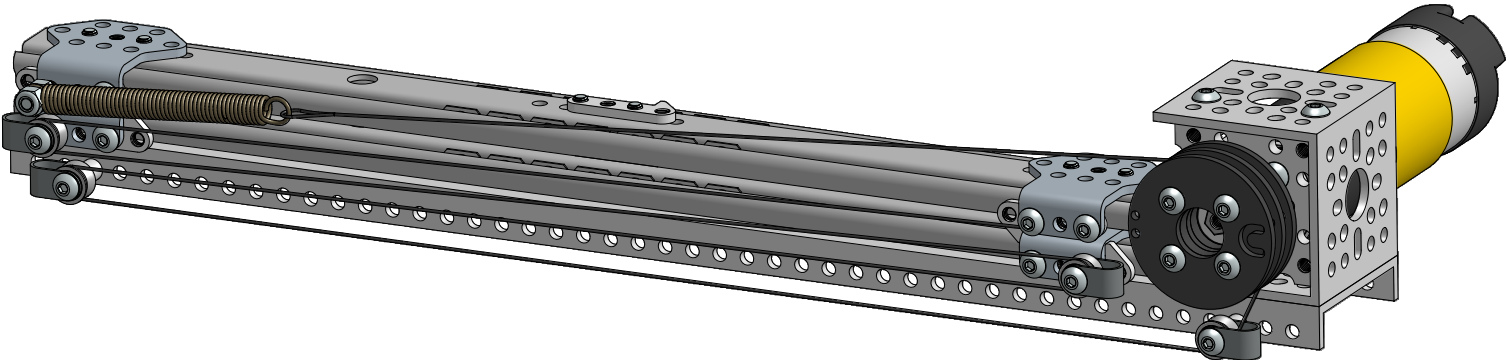
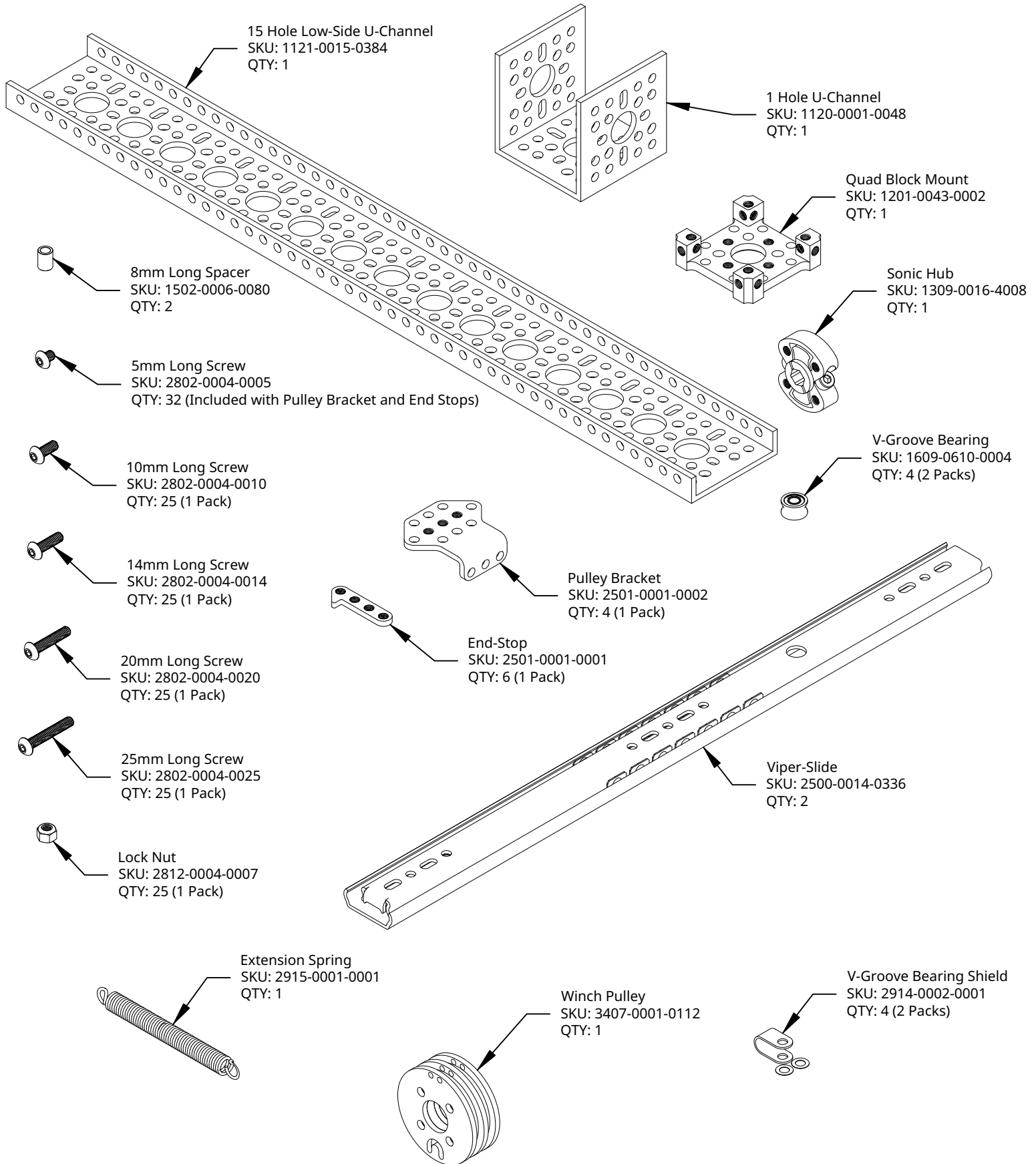


**2 Stage Viper-Slide Kit
3210-0002-0002
Assembly Instructions**

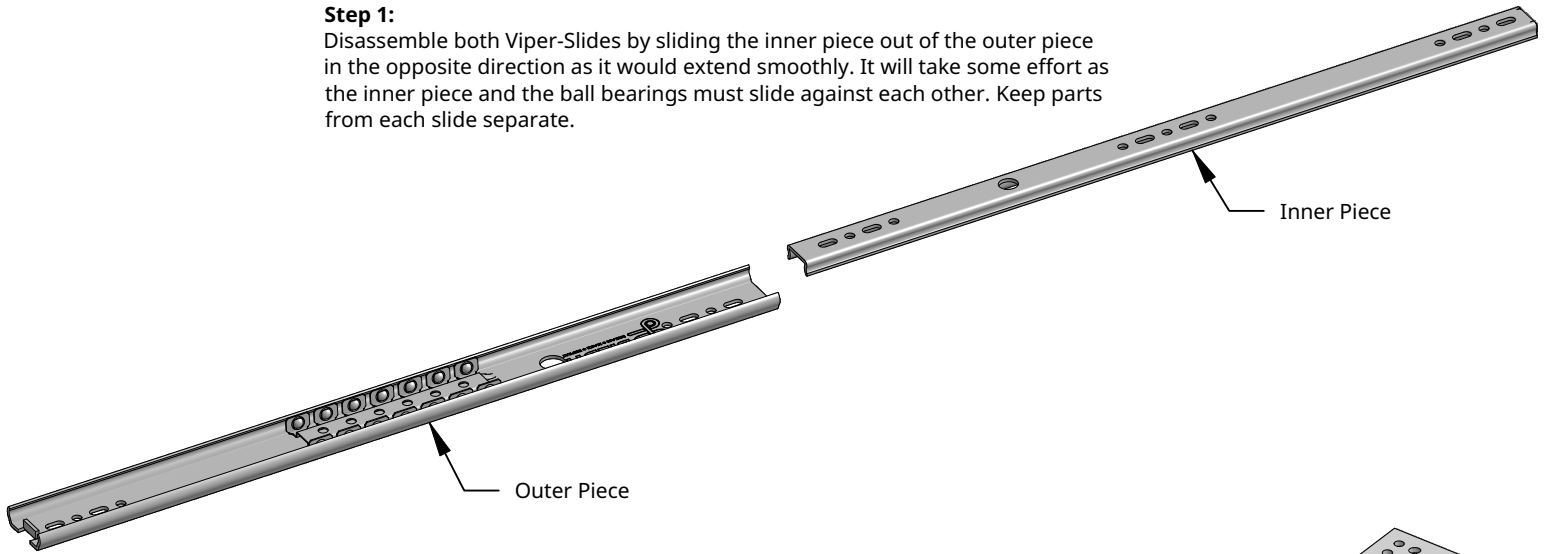


Kit Contents:



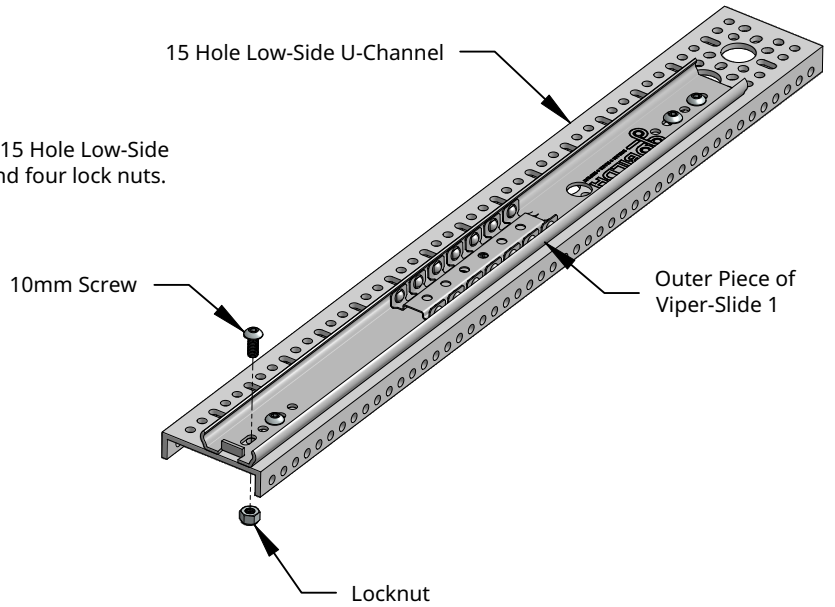
Step 1:

Disassemble both Viper-Slides by sliding the inner piece out of the outer piece in the opposite direction as it would extend smoothly. It will take some effort as the inner piece and the ball bearings must slide against each other. Keep parts from each slide separate.



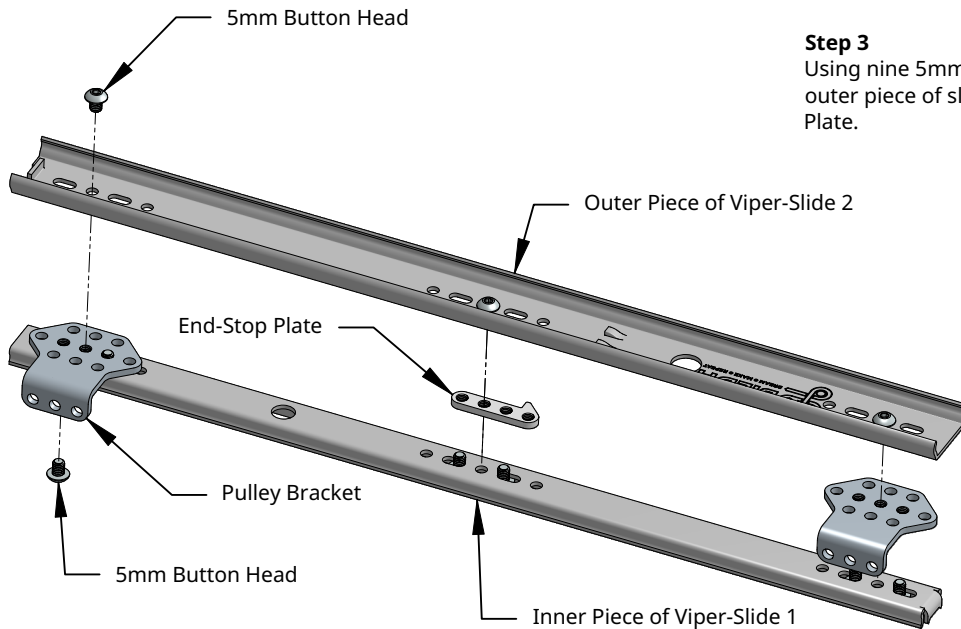
Step 2

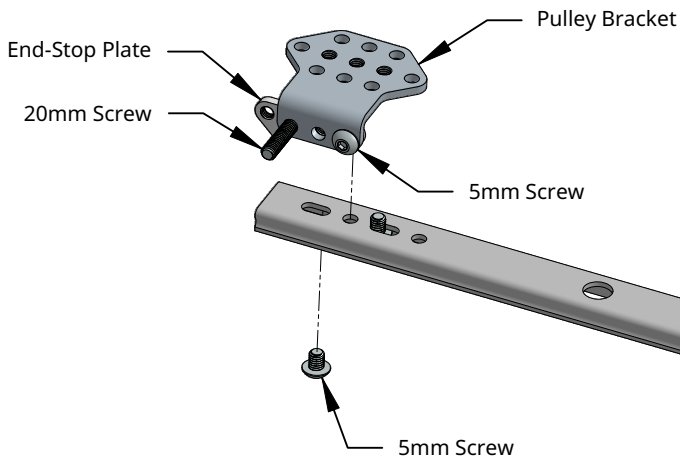
Attach the outer piece of the first Viper-Slide to the 15 Hole Low-Side U-Channel using four 10mm Button Head Screws and four lock nuts.



Step 3

Using nine 5mm Screws, bolt the inner piece of slide 1 and the outer piece of slide 2 to two Pulley Brackets, and an End-Stop Plate.

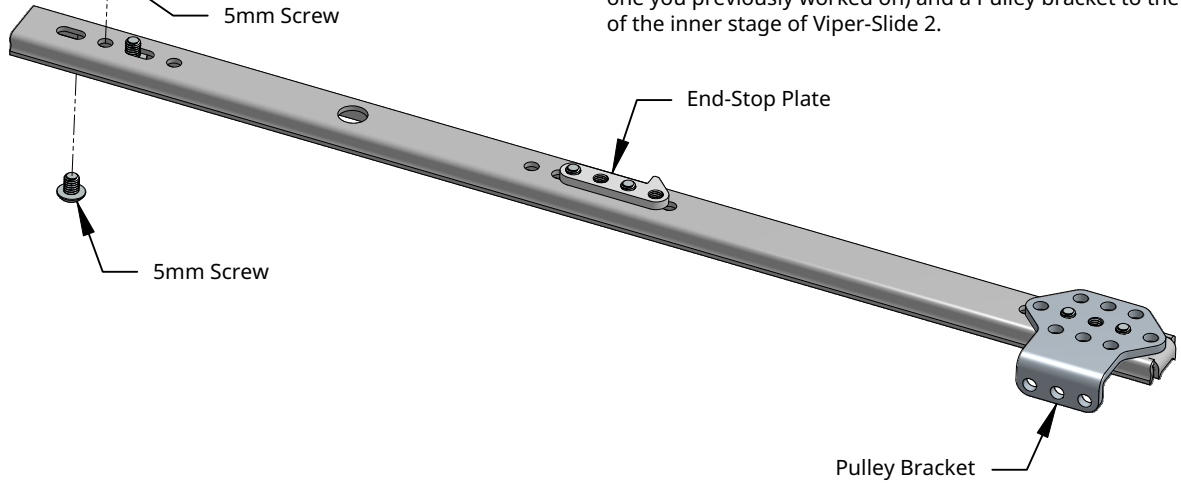




Step 4

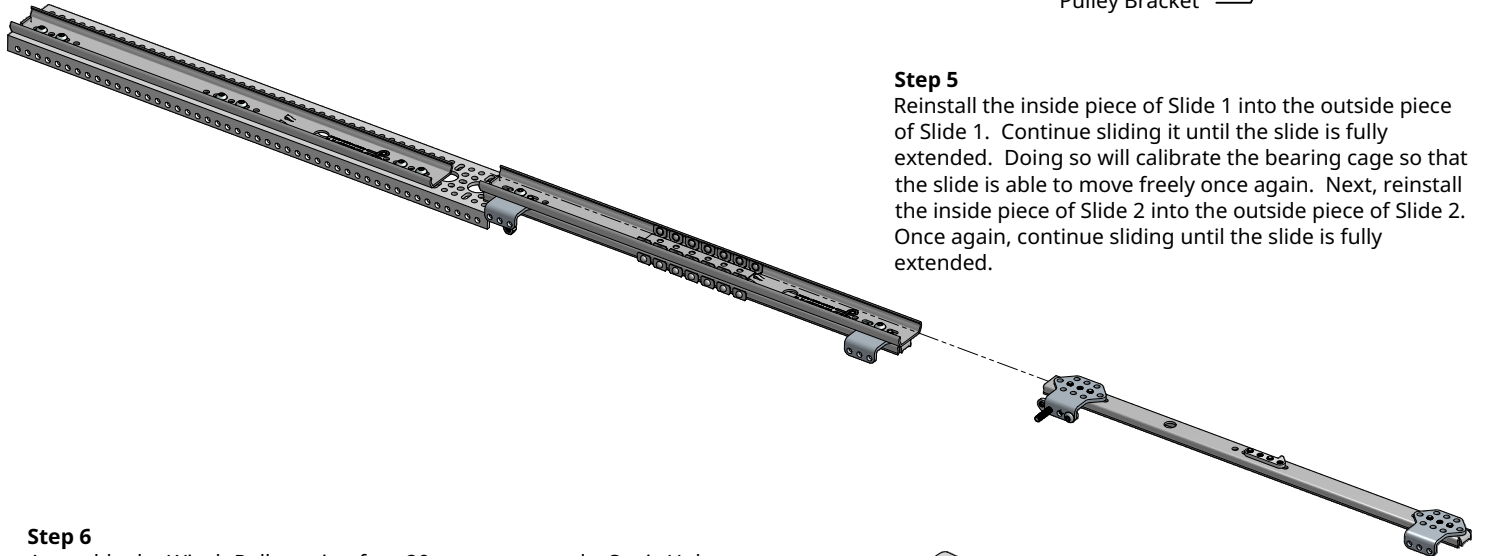
Using one 5mm screw, install an End-Stop Plate and a 20mm screw to one Pulley Bracket. This 20mm screw should have its threads facing out.

Using six 5mm screws, bolt two End-Stop Plates (including the one you previously worked on) and a Pulley bracket to the top of the inner stage of Viper-Slide 2.



Step 5

Reinstall the inside piece of Slide 1 into the outside piece of Slide 1. Continue sliding it until the slide is fully extended. Doing so will calibrate the bearing cage so that the slide is able to move freely once again. Next, reinstall the inside piece of Slide 2 into the outside piece of Slide 2. Once again, continue sliding until the slide is fully extended.



Step 6

Assemble the Winch Pulley using four 20mm screws and a Sonic Hub as shown in Figure A.

Using four 14mm screws, bolt a 5203 Series Yellow Jacket to the Quad Block before installing the assembly you made in Figure A.

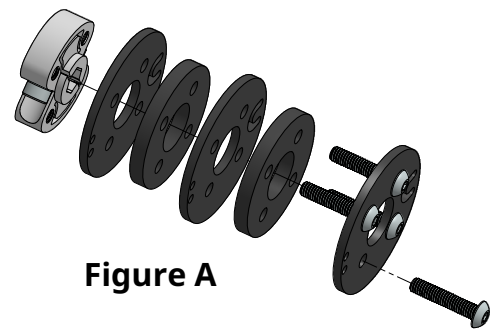


Figure A

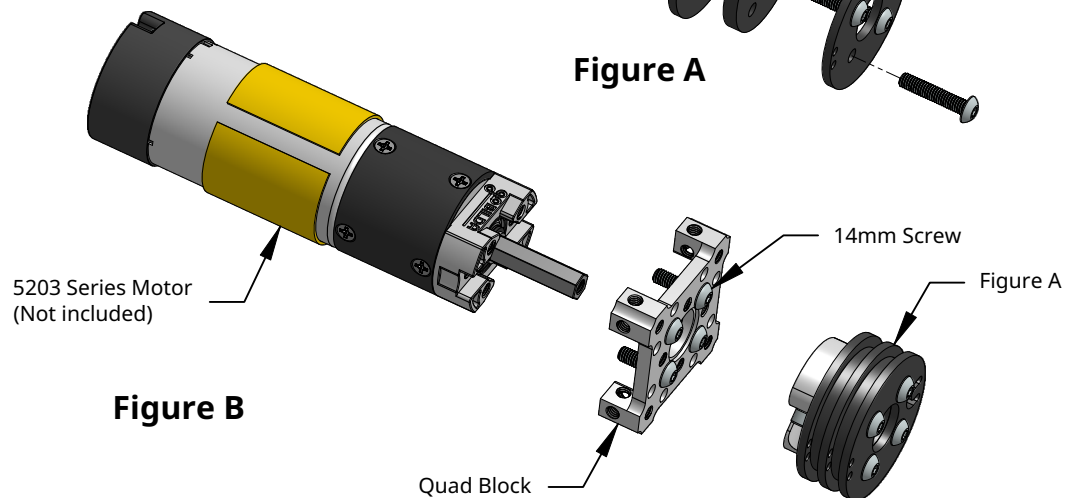
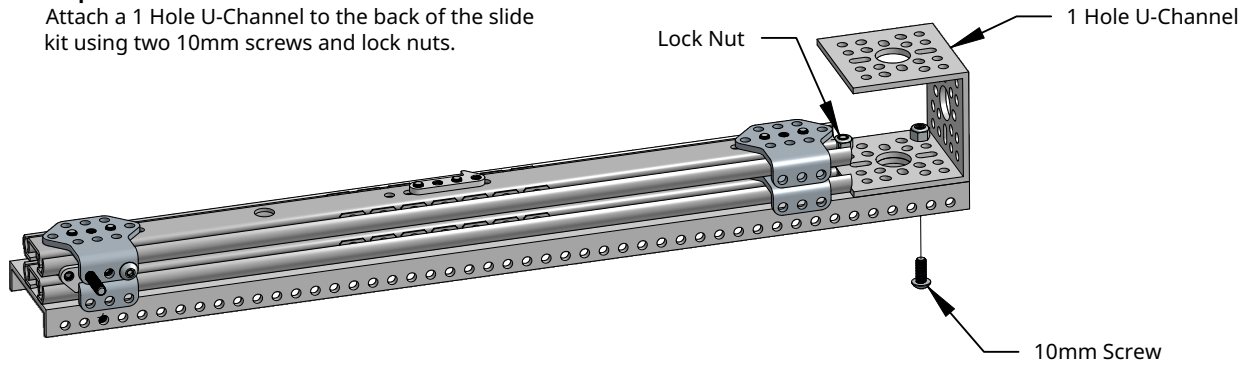


Figure B

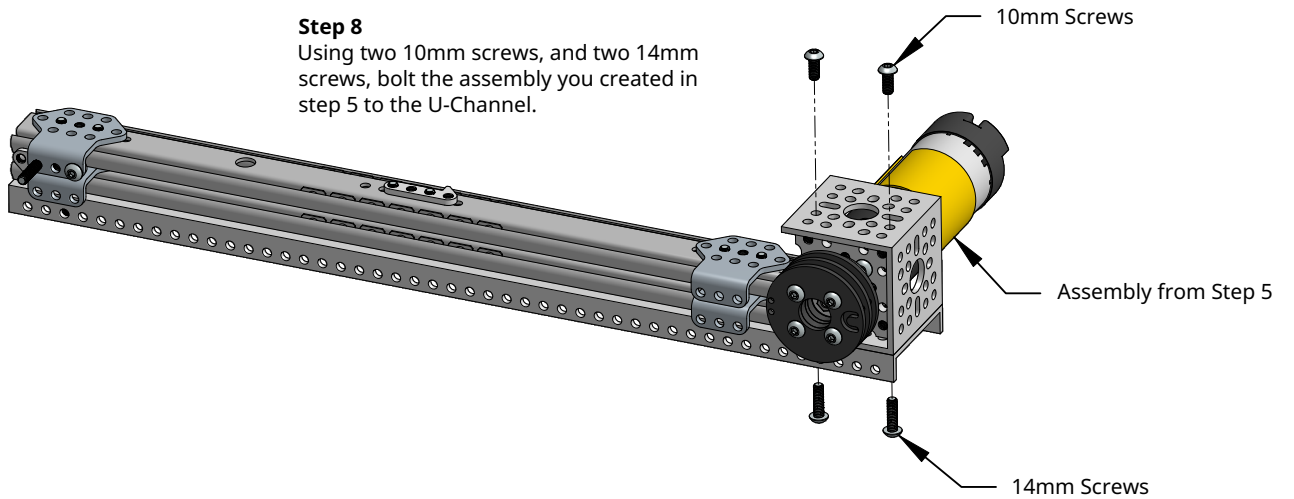
Step 7

Attach a 1 Hole U-Channel to the back of the slide kit using two 10mm screws and lock nuts.



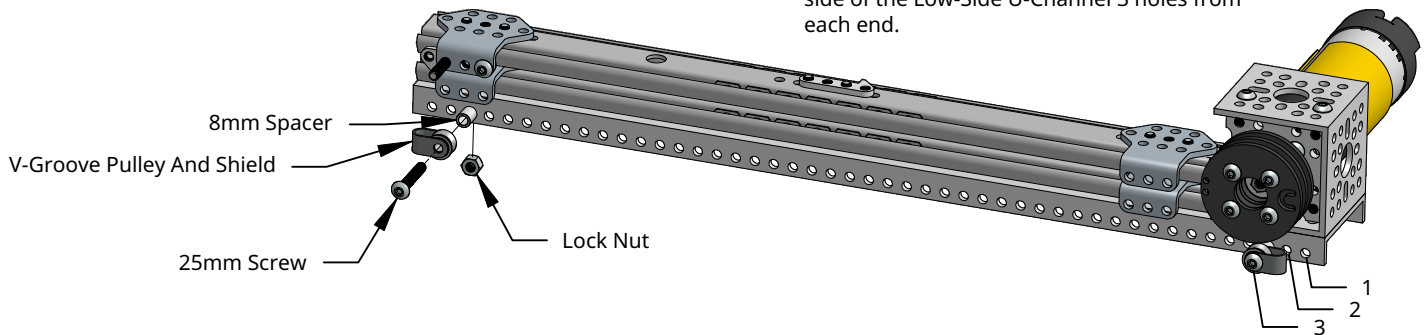
Step 8

Using two 10mm screws, and two 14mm screws, bolt the assembly you created in step 5 to the U-Channel.



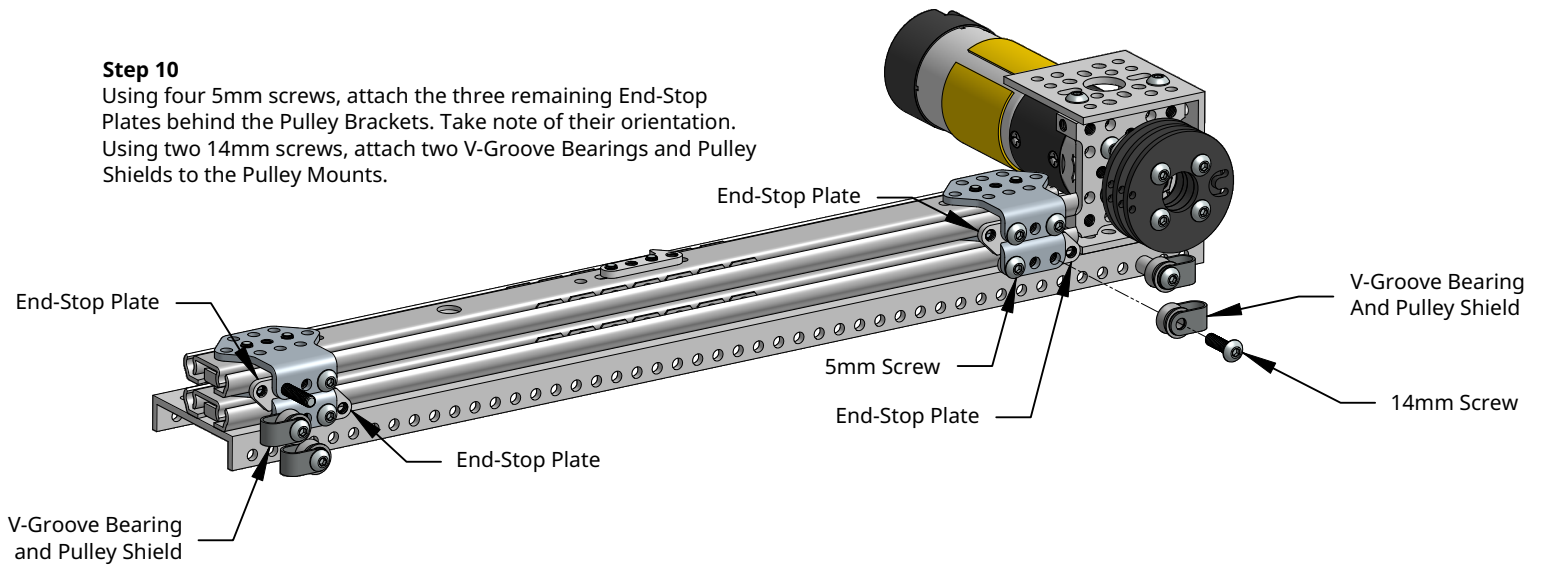
Step 9

Attach a V-Groove Pulley and Shield to the side of the Low-Side U-Channel 3 holes from each end.



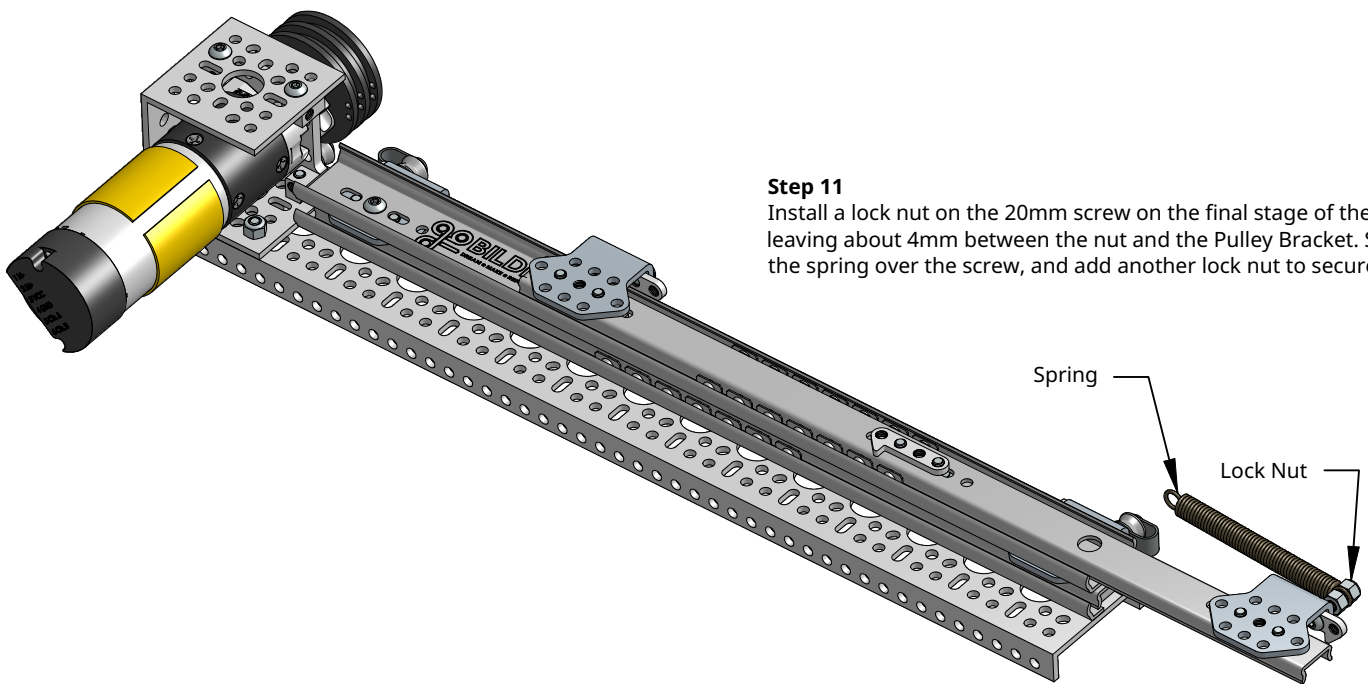
Step 10

Using four 5mm screws, attach the three remaining End-Stop Plates behind the Pulley Brackets. Take note of their orientation. Using two 14mm screws, attach two V-Groove Bearings and Pulley Shields to the Pulley Mounts.



Step 11

Install a lock nut on the 20mm screw on the final stage of the slide, leaving about 4mm between the nut and the Pulley Bracket. Slide the spring over the screw, and add another lock nut to secure it.



After this step your kit is complete! Please check out this QR Code or URL for a rigging guide video!