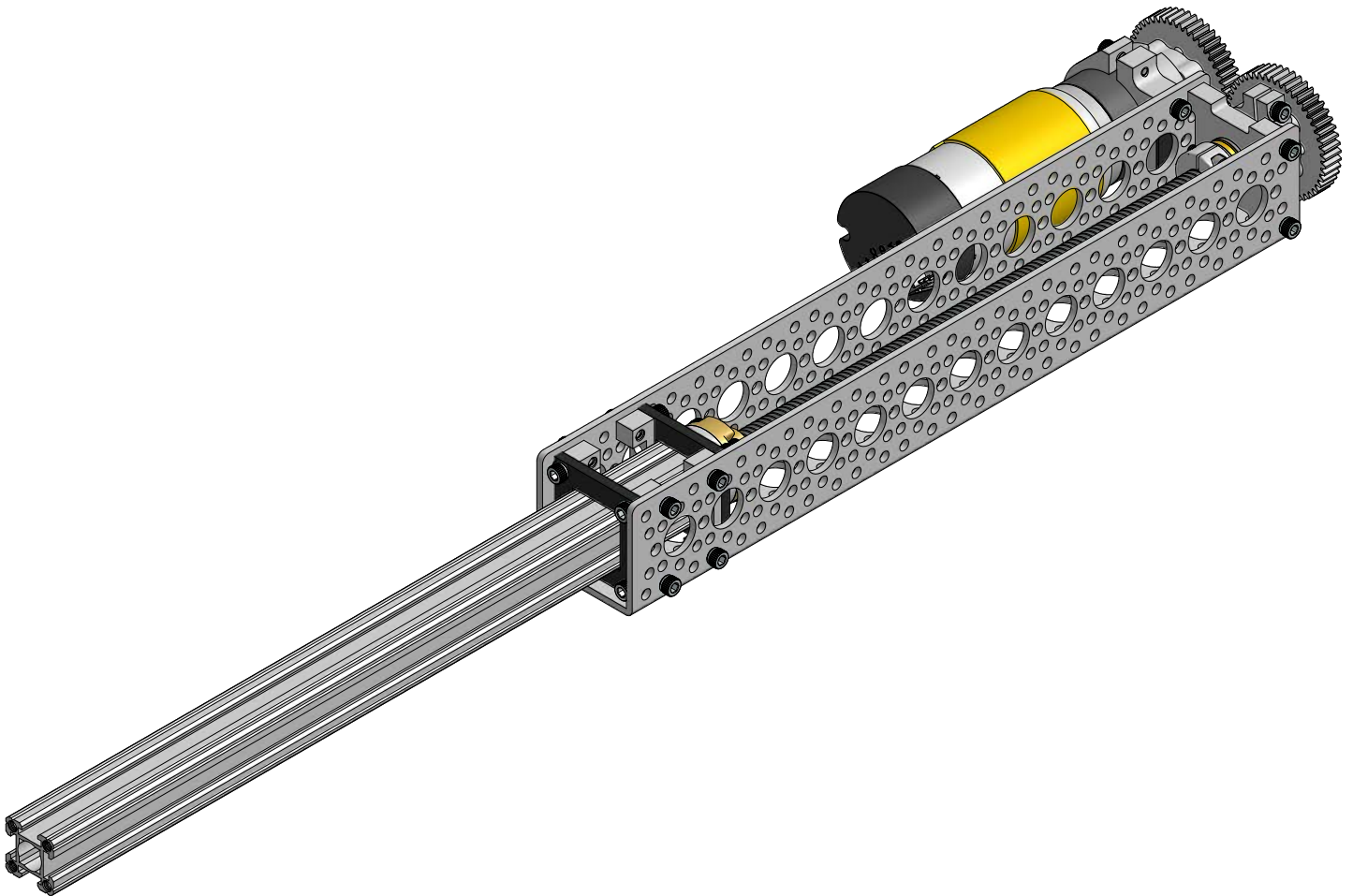


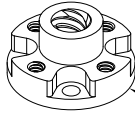
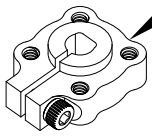
Assembly Instructions for Actobotics® Linear Actuator Kit 637213



Motor and Motor Mount Not Included.

Kit Contents:

Clamping Hub
6mm D-Bore
SKU: 545618
QTY: 1



8mm Lead Screw Nut
SKU: 545315
QTY: 1

1/8" Thick Hub Spacer
SKU: 545372
QTY: 1



8mm Lead Screw Collar
SKU: 3504-0804-1808
QTY: 1

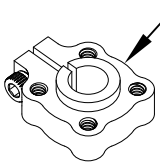


8mm ID Thrust Bearing
SKU: 1613-0516-0008
QTY: 2

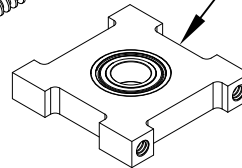


10.50" Channel
SKU: 585452
QTY: 1

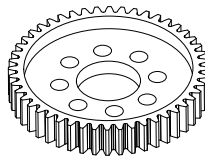
Clamping Hub
8mm Bore
SKU: 545624
QTY: 1



8mm Bore Pillow Block
SKU: 535094
QTY: 1

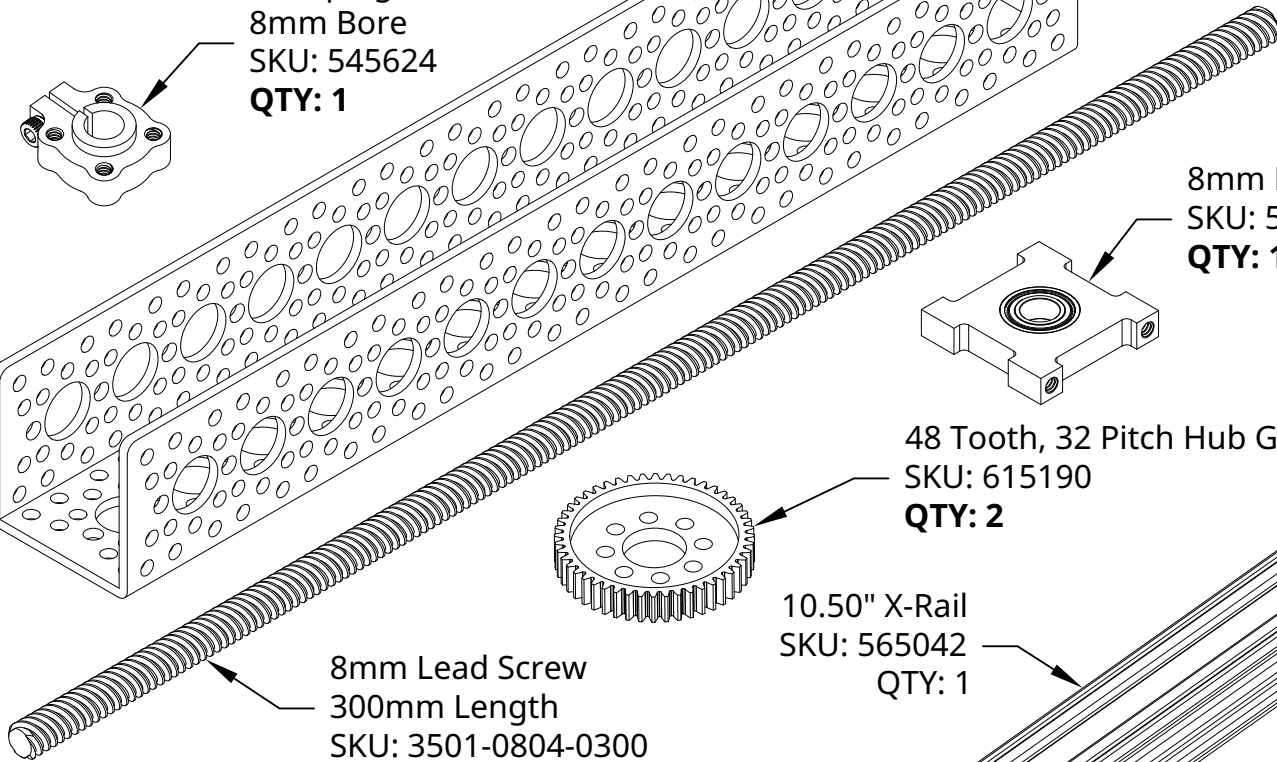


48 Tooth, 32 Pitch Hub Gear
SKU: 615190
QTY: 2



10.50" X-Rail
SKU: 565042
QTY: 1

8mm Lead Screw
300mm Length
SKU: 3501-0804-0300
QTY: 1



1/4" Length, 6-32 Screw
SKU: 632106
QTY: 25 (one 25 pack)



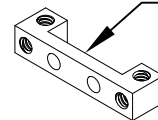
5/16" Length, 6-32 Screw
SKU: 632108
QTY: 25 (one 25 pack)



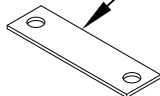
7/16" Length, 6-32 Screw
SKU: 632112
QTY: 25 (one 25 pack)



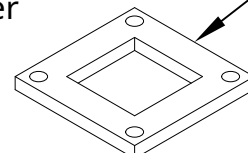
90° Dual Side Mount A
SKU: 585470
QTY: 4 (two 2 packs)



Plastic Spacer
QTY: 1

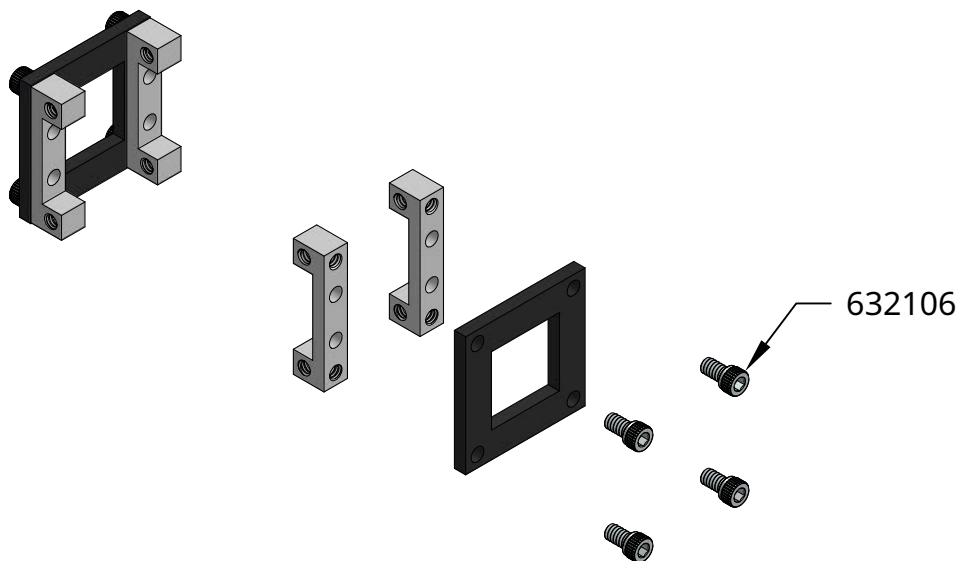


X-Rail Slide Plate
SKU: 585690
QTY: 2 (one 2 pack)



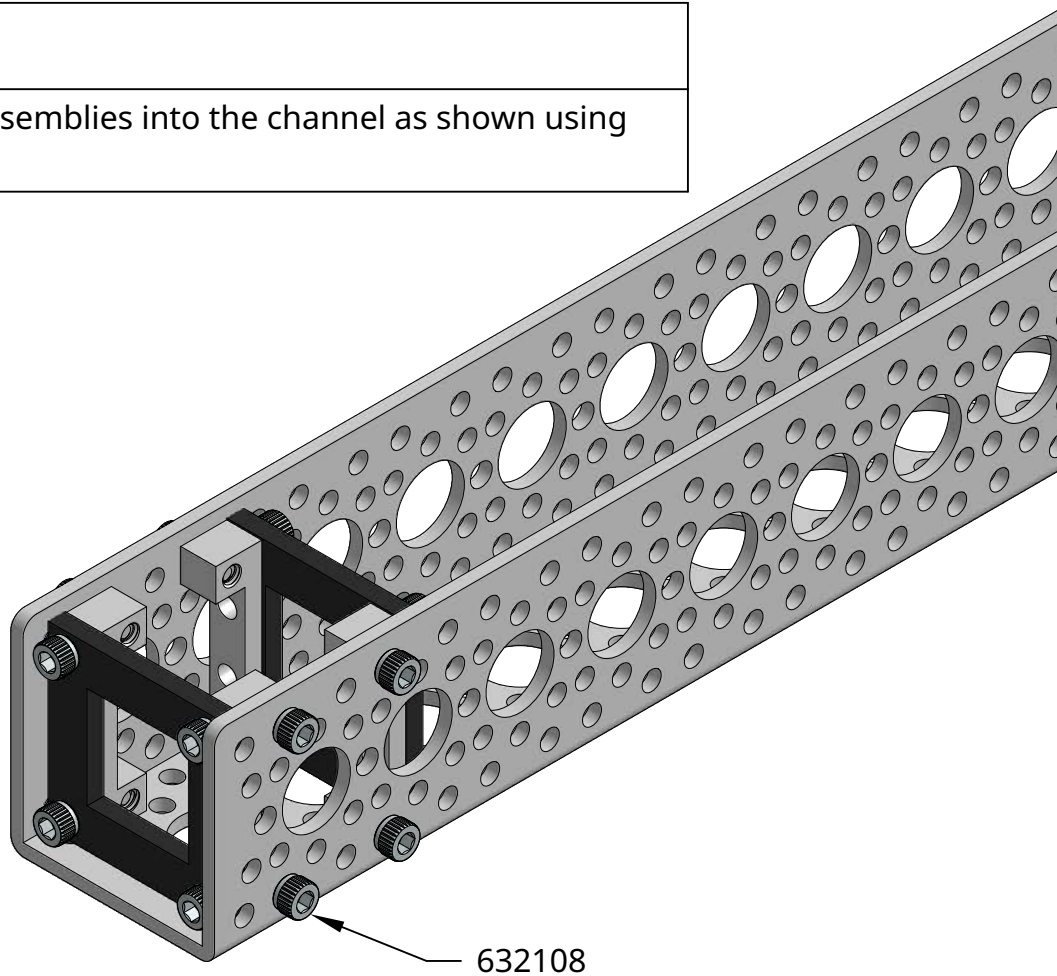
STEP 1

Use eight 1/4" screws to attach the Dual Side Mounts to the X-Rail Slide Plates.



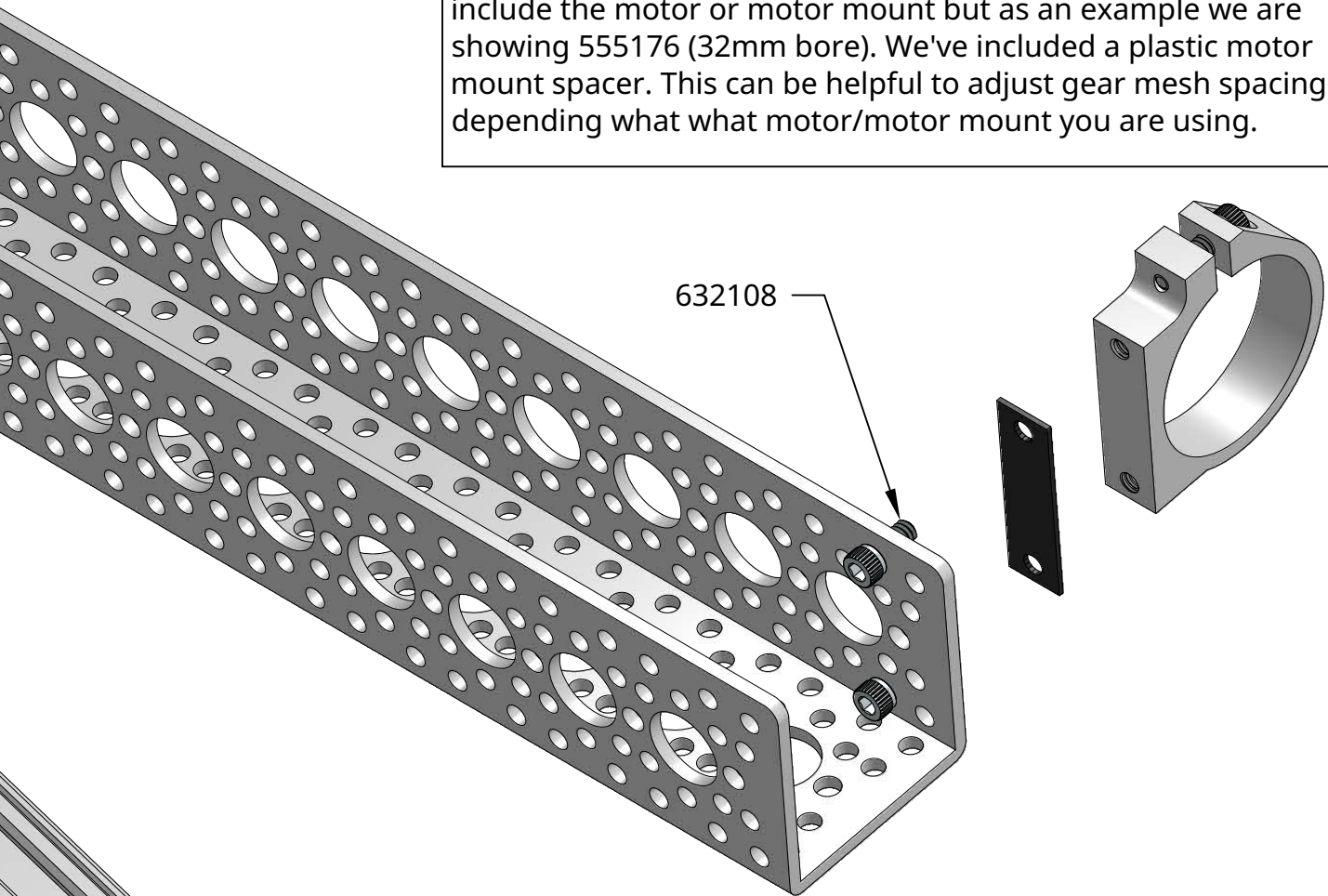
STEP 2

Mount the two slide plate assemblies into the channel as shown using eight 5/16" screws.



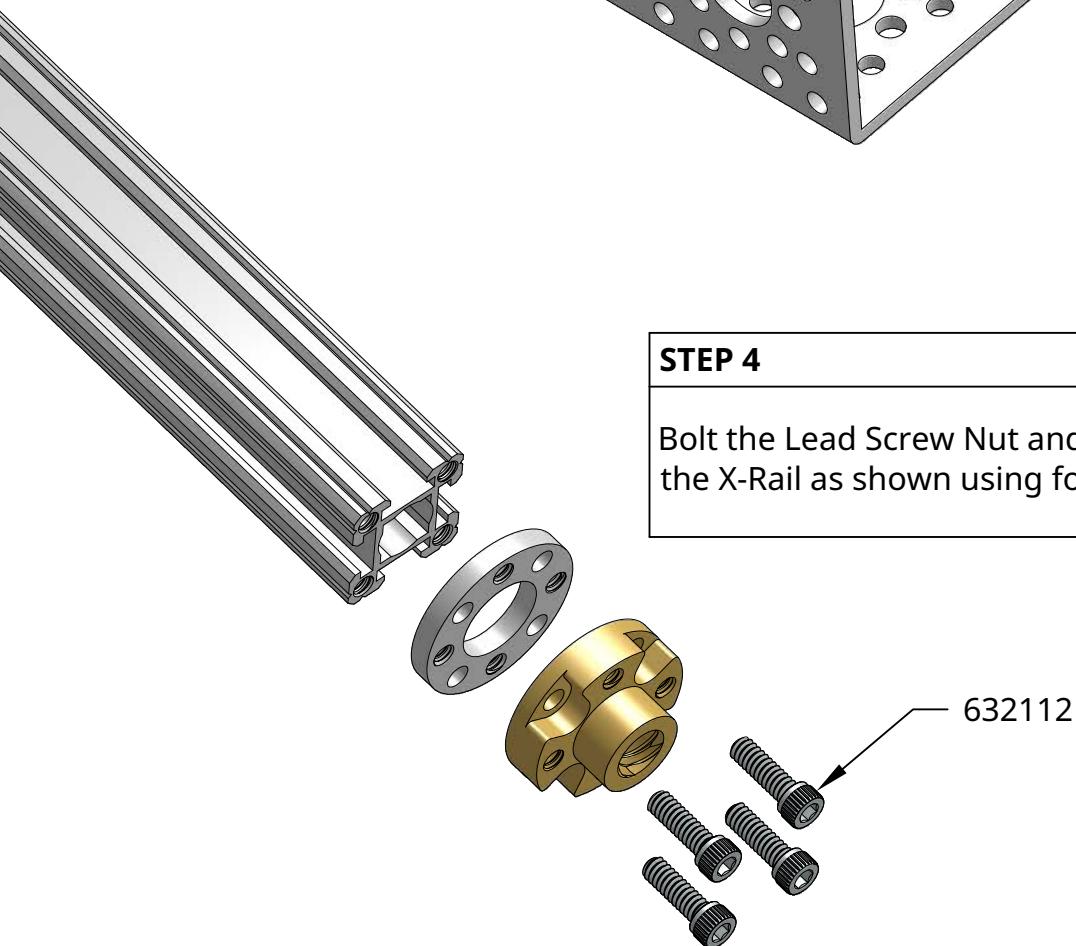
STEP 3

Attach a clamping motor mount as shown. This kit does not include the motor or motor mount but as an example we are showing 555176 (32mm bore). We've included a plastic motor mount spacer. This can be helpful to adjust gear mesh spacing depending what what motor/motor mount you are using.



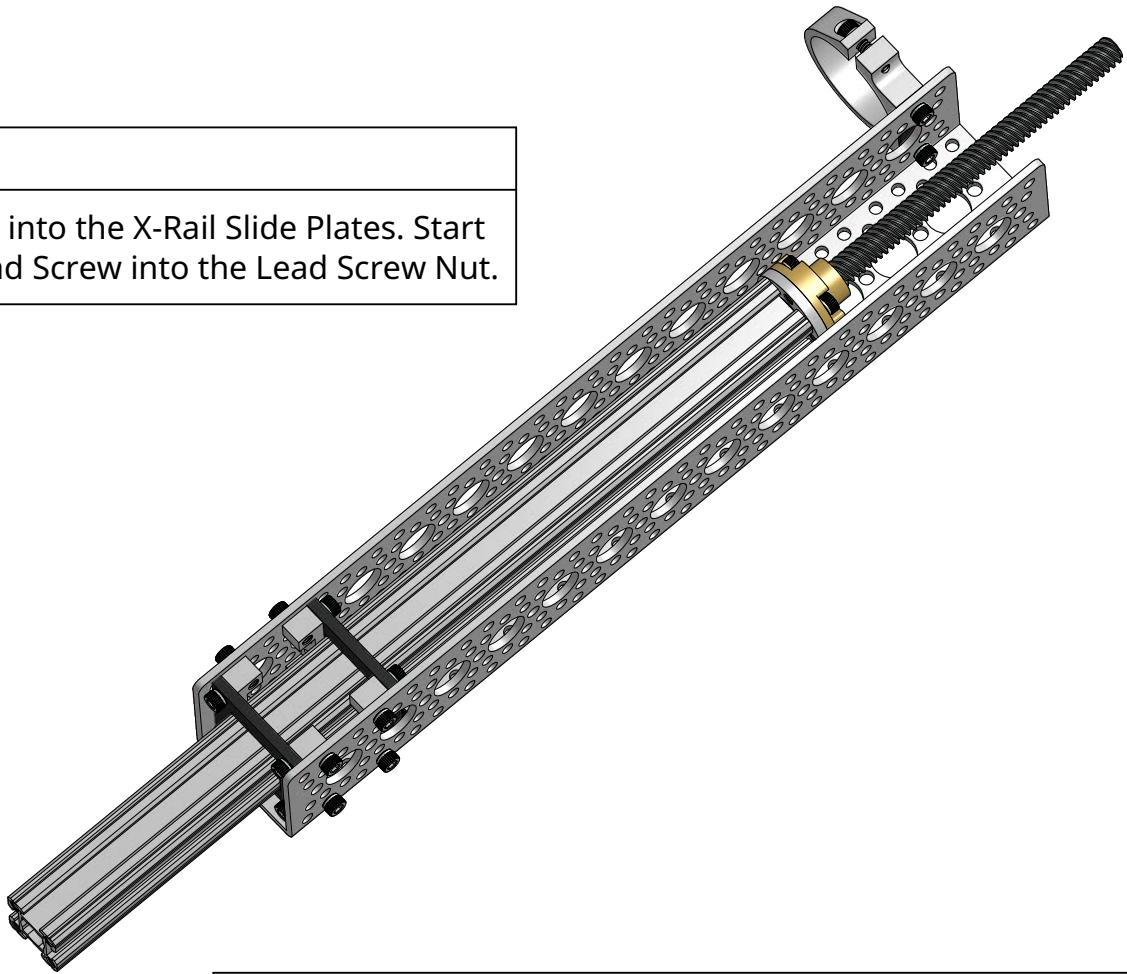
STEP 4

Bolt the Lead Screw Nut and Pattern Spacer to the end of the X-Rail as shown using four 7/16" screws.



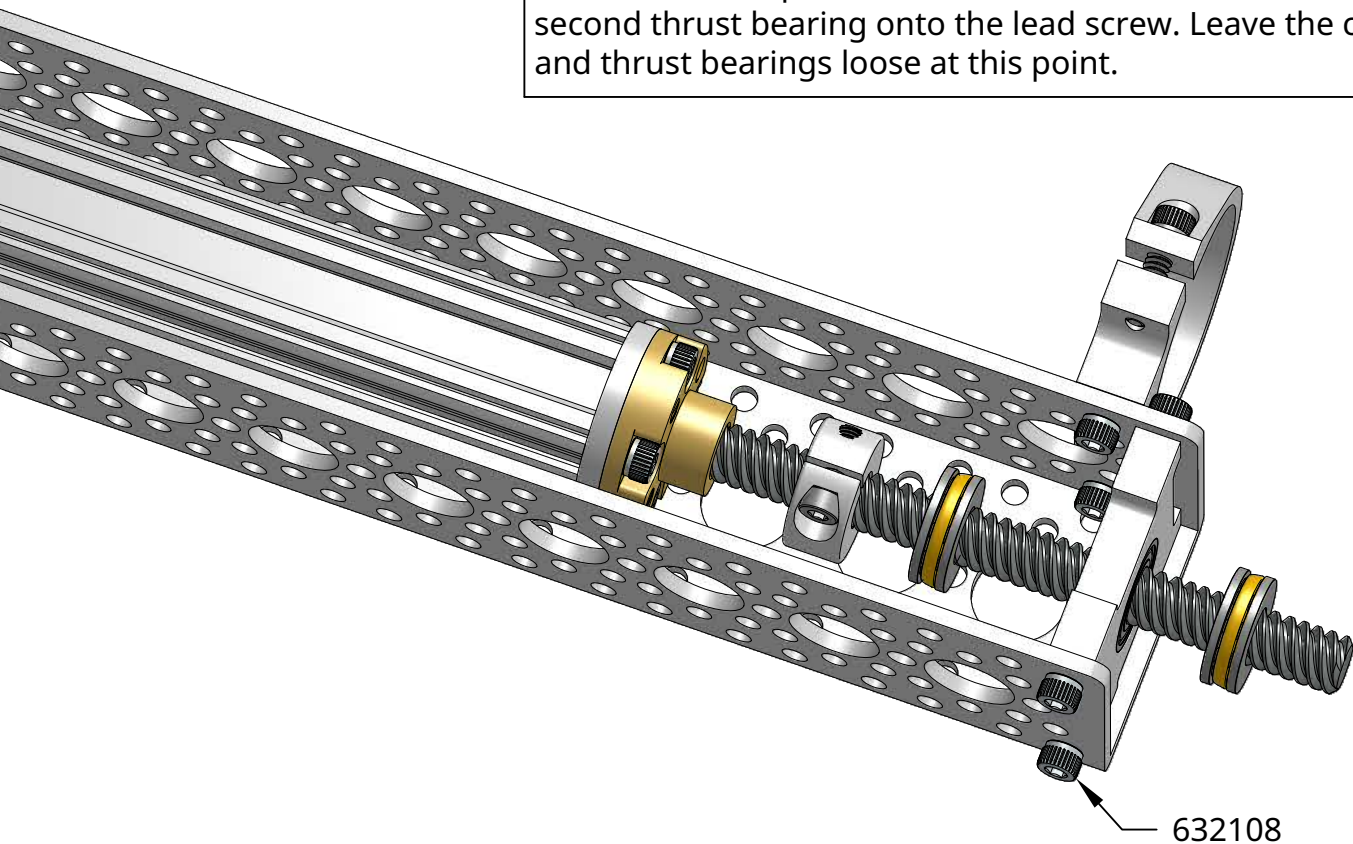
STEP 5

Slide the X-Rail into the X-Rail Slide Plates. Start to feed the Lead Screw into the Lead Screw Nut.



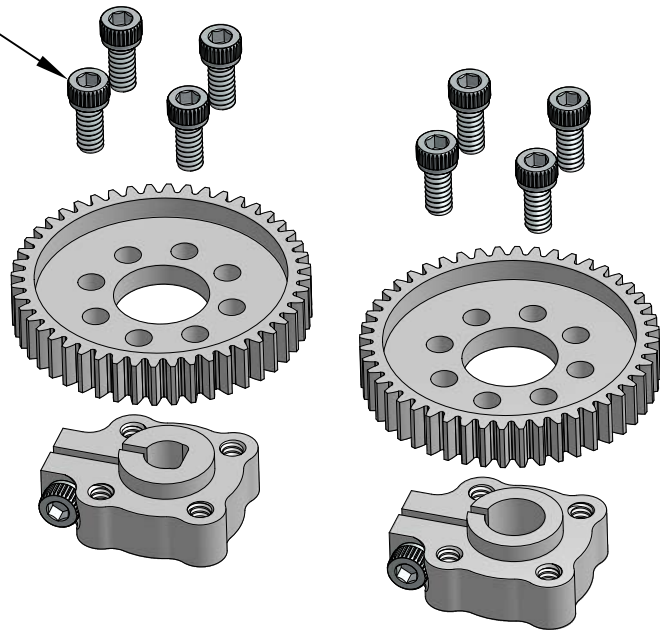
STEP 6

Put the collar and one thrust bearing onto the lead screw. Next, fasten the pillow block with 4 screws as shown. Slide the second thrust bearing onto the lead screw. Leave the collar and thrust bearings loose at this point.



632108

632108

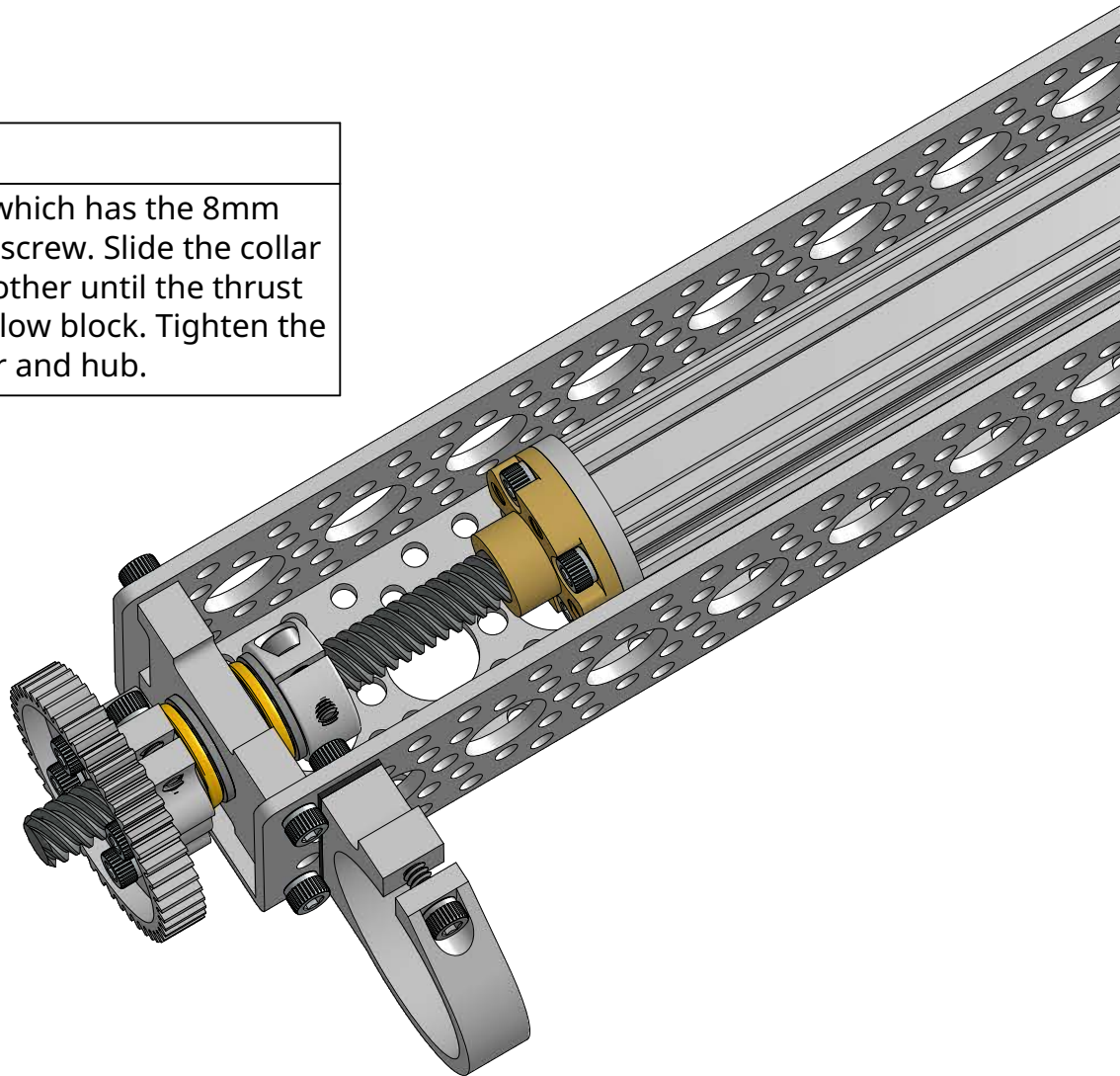


STEP 7

Fasten the gears to the hubs using eight 5/16" screws.

STEP 8

Put the gear assembly which has the 8mm bore hub onto the lead screw. Slide the collar and hub towards each other until the thrust bearings contact the pillow block. Tighten the pinch bolts on the collar and hub.



STEP 9

Slide the motor into the clamping mount. Slide the gear assembly with the 6mm D-Bore hub on the motor shaft until the hub bottoms out against where the flat of the motor's d-shaft stops. Tighten the pinch bolt on the hub. Slide the motor until both gear faces line up with each other. Note that this kit does not include a motor or motor mount but as an example we are showing a 555176 clamping mount and a 5202-0002-0005 Yellow Jacket Planetary Gear Motor from goBILDA.

